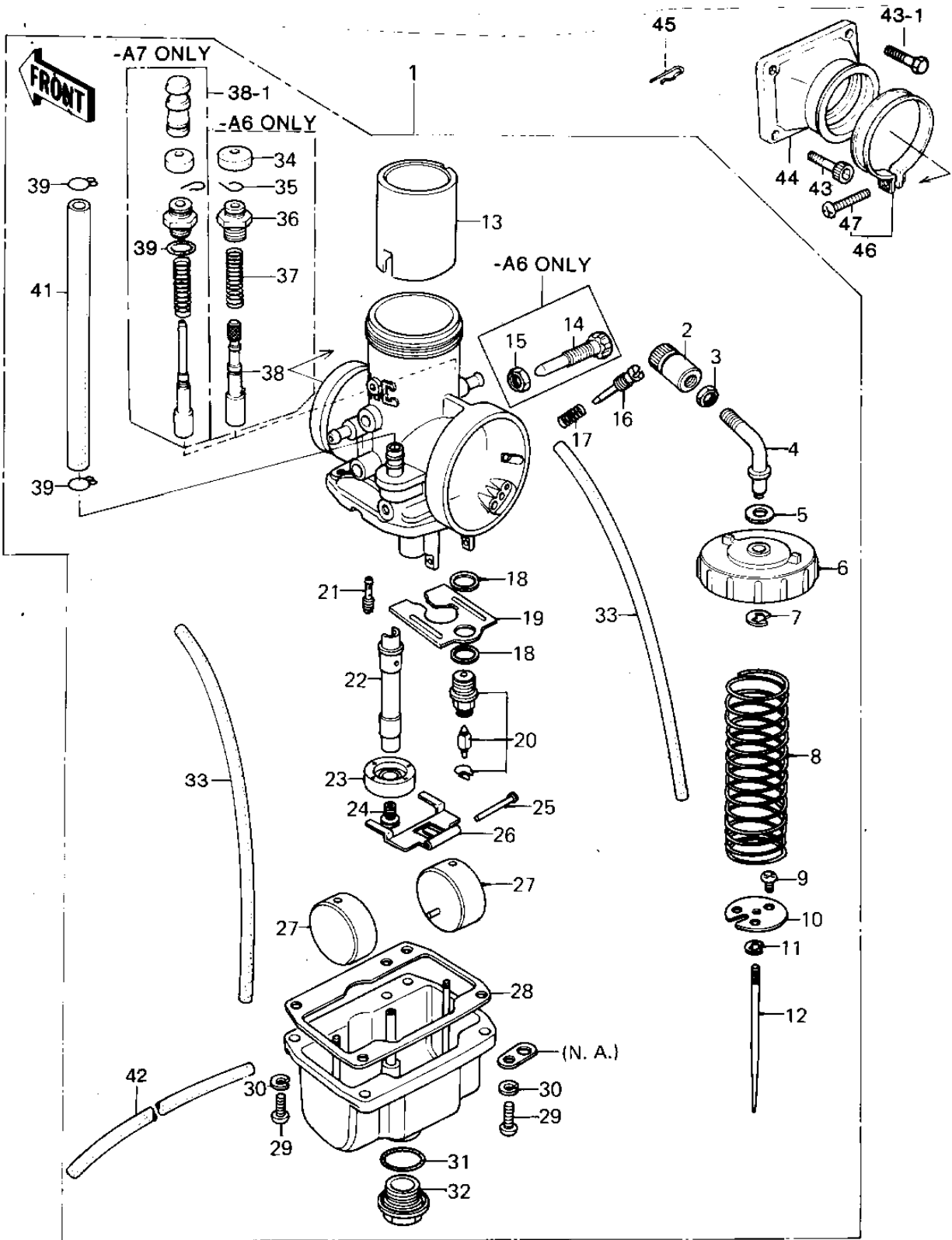


1981 KX250 PARTS DIAGRAM

CARBURETOR



1981 KX250 PARTS LIST

CARBURETOR

ITEM NAME	PART NUMBER	QUANTITY
CARBURETOR ASSY (Ref # 1)	16001-1338	1
ADJUSTER,CABLE (Ref # 2)	16002-1006	1
NUT CABLE ADJUST LOCK (Ref # 3)	16003-004	1
GUIDE,CABLE (Ref # 4)	13070-1014	1
GASKET,CABLE GUIDE (Ref # 5)	11009-1191	1
TOP,MIXING CHAMBER (Ref # 6)	16004-1010	1
CIRCLIP,CABLE GUIDE (Ref # 7)	16008-011	1
SPRING-THROTTLE VALVE (Ref # 8)	16006-016	1
SCREW,4X5 (Ref # 9)	92009-1037	1
SEAT,THROTTLE VALVE (Ref # 10)	16007-1007	1
CIRCLIP (Ref # 11)	16008-010	1
JET NEEDLE,6FL28 (Ref # 12)	16009-1033	1
VALVE,THROTTLE,CA,3.0 (Ref # 13)	16025-1053	1
SCREW (Ref # 16)	16014-006	1
SPRING-THR STOP SCREW (Ref # 17)	16022-007	1
GASKET,FLOAT VALVE (Ref # 18)	11009-1076	1
BAFFLE-CARB (Ref # 19)	16038-019	1
FLOAT VALVE ASSY (Ref # 20)	16030-020	1
JET-PILOT NO 30 (Ref # 21)	92064-022	1
NEEDLE JET,R-4 (Ref # 22)	16017-1080	1
HOLDER-CARBURETOR (Ref # 23)	16065-1052	1
MAIN JET,#172.5R (Ref # 24)	92063-1027	(1
MAIN JET,#165R (Ref # 24)	92063-1020	(1
MAIN JET,#167.5R (Ref # 24)	92063-1021	(1
MAIN JET,#170R (Ref # 24)	92063-1022	1
MAIN JET,#175R (Ref # 24)	92063-1039	(1
MAIN JET,#177-5R (Ref # 24)	92063-1040	(1
PIN,FLOAT (Ref # 25)	16032-008	1
ARM,FLOAT (Ref # 26)	16055-009	1

1981 KX250 PARTS LIST

CARBURETOR

ITEM NAME	PART NUMBER	QUANTITY
FLOAT (Ref # 27)	16031-029	2
GASKET,FLOAT CHAMBER (Ref # 28)	16019-028	1
SCREW, PAN HEAD, 5X16 (Ref # 29)	220B0516A	4
WASHER SPRING 5MM (Ref # 30)	461F0500	4
GASKET-COVER (Ref # 31)	16038-009	1
COVER,MAIN JET (Ref # 32)	16049-006	1
PLUNGER,STARTER (Ref # 38-1)	16016-1026	1
"O" RING,9MM (Ref # 39)	670B1509	1
HOSE,FUEL,6.5OX11.5O (Ref # 41)	92059-1026	1
TUBE,3.5X6.5X290,BRTH (Ref # 42)	92059-1017	1
BOLT,FLANGED,6X20 (Ref # 43-1)	130G0620	4
HOLDER,CARBURETOR (Ref # 44)	16065-1029	1
CIRCLIP (Ref # 45)	92036-018	1
CLAMP,CARBURETOR HLDR (Ref # 46)	92037-116	1
SCREW-PAN-CROS (Ref # 47)	220B0535	1