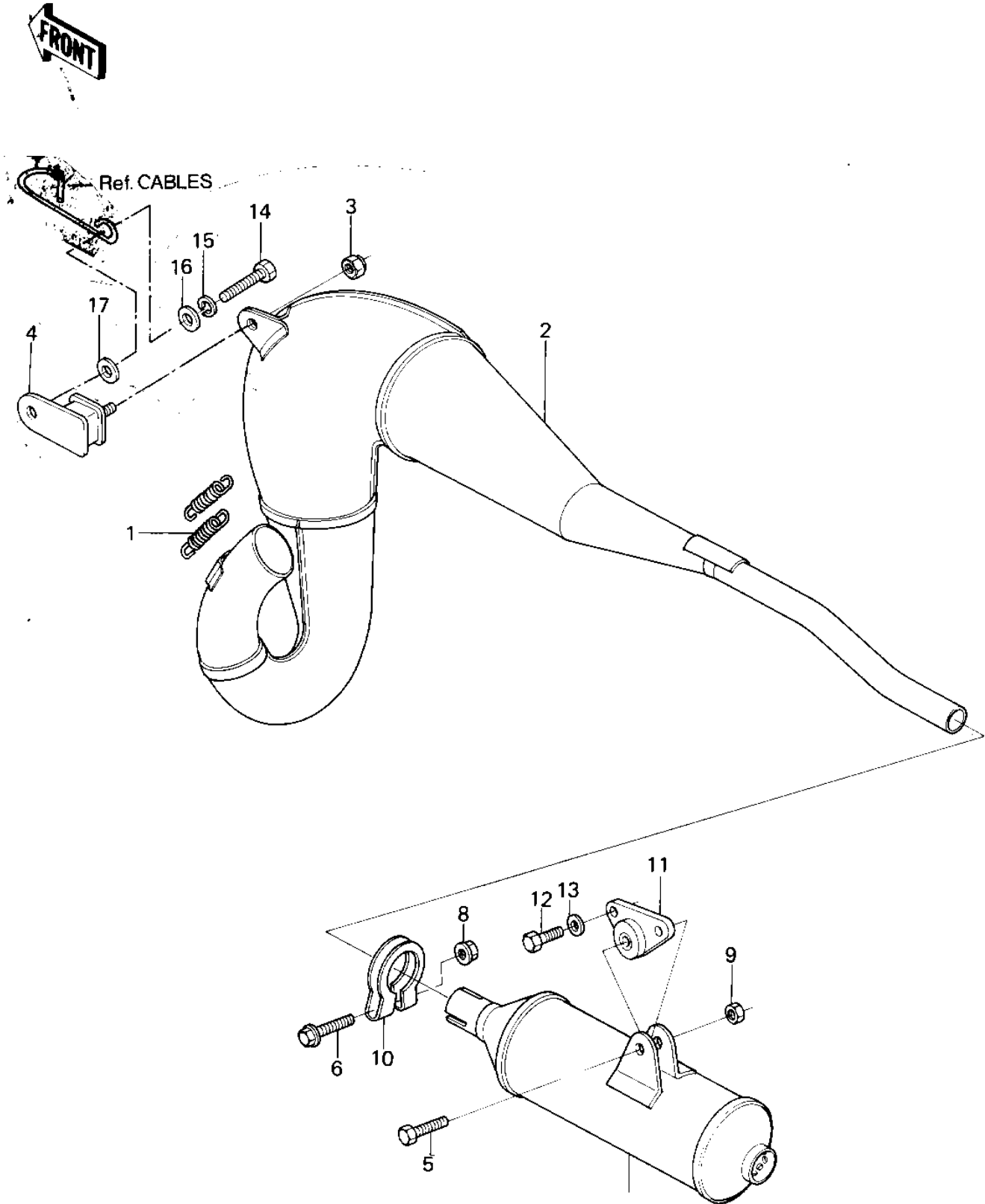


1980 KX250 PARTS DIAGRAM

MUFFLER



1980 KX250 PARTS LIST

MUFFLER

ITEM NAME	PART NUMBER	QUANTITY
SPRING-CONNECTOR (Ref # 1)	18071-003	2
BODY,MUFFLER (Ref # 2)	49070-1025	1
BODY-COMP-MUFFLER,BLK (Ref # 2)	18002-1127	1
NUT,LOCK,8MM (Ref # 3)	92015-1124	1
NUT,LOCK,8MM (Ref # 3)	92015-1124	1
DAMPER,MUFFLER FITING (Ref # 4)	92075-1060	1
BOLT-UPSET (Ref # 5)	112G0625	1
BOLT,FLANGED,6X25 (Ref # 6)	130G0625	1
MUFFLER ASSY (Ref # 7)	18001-1102	1
MUFFLER,F.BLACK (Ref # 7)	18001-1168	1
NUT-6MM (Ref # 8)	92015-1078	1
NUT (Ref # 9)	92019-008	1
CLAMP,MUFFLER (Ref # 10)	92037-1280	1
DAMPER RUBBER (Ref # 11)	92075-1046	1
BOLT-UPSET,6X16 (Ref # 12)	112G0616	2
WASHER PLAIN 6MM (Ref # 13)	411B0600	2
BOLT-SMALL-UPSET 8X25 (Ref # 14)	115G0825	1
BOLT-SMALL-UPSET 8X25 (Ref # 14)	115G0825	1
WASHER SPRING 8MM (Ref # 15)	461F0800	1
WASHER PLAIN 8MM (Ref # 16)	411B0800	1
WASHER,8.5X20X1.6 (Ref # 17)	92022-1561	1