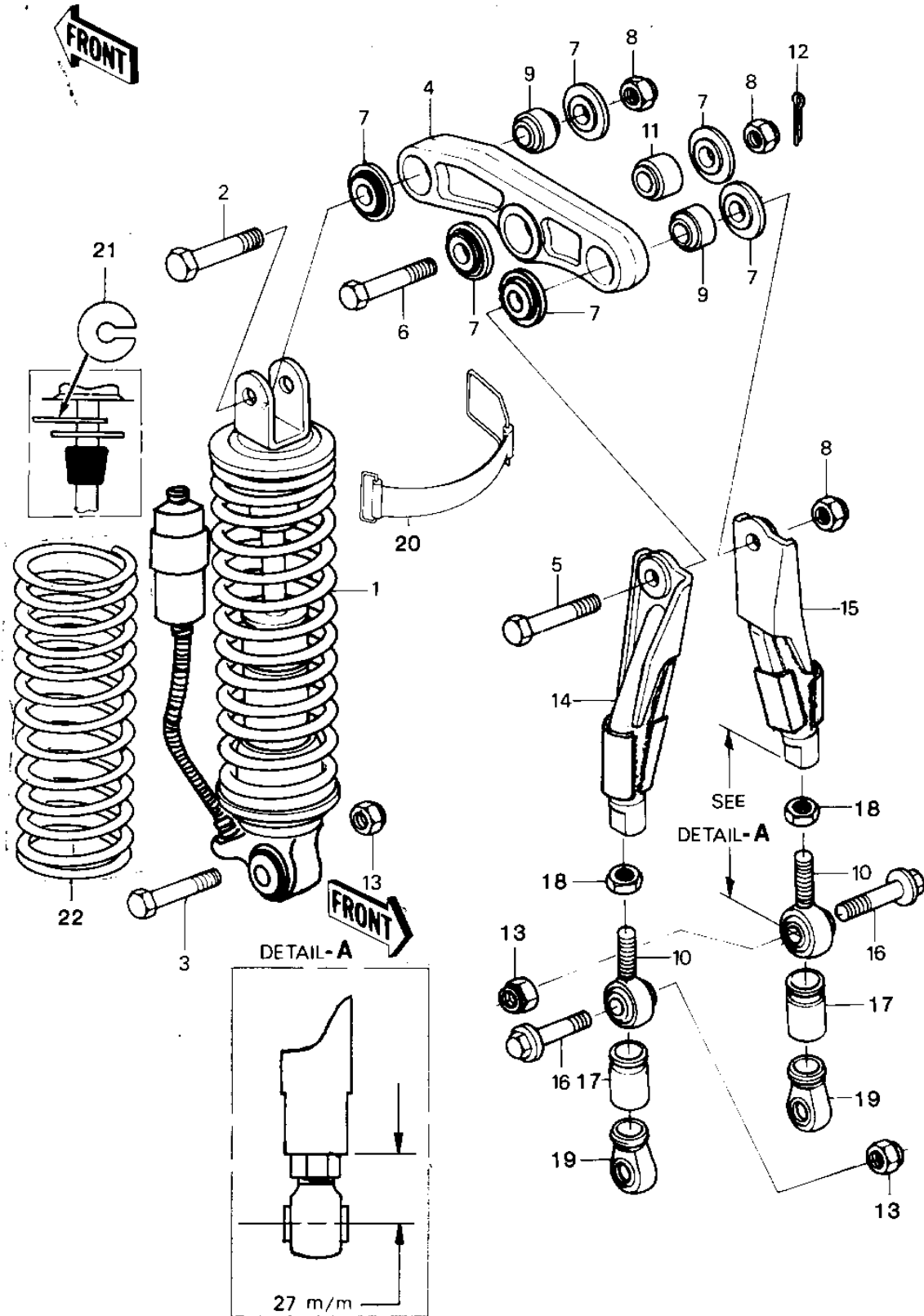


1980 KX250 PARTS DIAGRAM

REAR SUSPENSION/SHOCK ABSORBER (KX250-A6)



1980 KX250 PARTS LIST

REAR SUSPENSION/SHOCK ABSORBER (KX250-A6)

ITEM NAME	PART NUMBER	QUANTITY
SHOCK ABSBR RR (Ref # 1)	45014-1049	1
BOLT,HEX HEAD,14X50 (Ref # 2)	92001-1317	1
BOLT,HEX HEAD,12X55 (Ref # 3)	113P1255A	1
ARM-SUSP (Ref # 4)	39007-1006	1
BOLT,HEX HEAD,14X54 (Ref # 5)	92001-1295	1
BOLT,HEX HEAD,14X60 (Ref # 6)	92001-1335	1
CAP,SUSPENSION ARM (Ref # 7)	11012-1117	6
NUT-LOCK,14MM (Ref # 8)	92019-011	3
JOINT,BALL,SUSPENSION (Ref # 9)	59266-1001	2
JOINT,BALL,SUSPENSION (Ref # 10)	59266-1002	2
BUSHING,SUSPENSION AM (Ref # 11)	92028-1087	1
PIN COTTER 2.5X25 (Ref # 12)	550D2525	1
NUT-LOCK,12MM (Ref # 13)	92019-009	3
ROD,UNI-TRACK,LH (Ref # 14)	46102-1024	1
ROD,UNI-TRACK,RH (Ref # 15)	46102-1025	1
BOLT,HEX HEAD,12X48 (Ref # 16)	92001-1297	2
BOOT,BALL JOINT (Ref # 17)	49006-1045	2
NUT-HEX-FINE,12MM (Ref # 18)	315B1200	2
BOOT,BALL JOINT (Ref # 19)	49006-1046	2
BAND,FUEL TANK (Ref # 20)	92072-076	1
SPACER (Ref # 21)	92026-4005	AR
SPRING, RR SHOCK STD (Ref # 22)	92081-1243	1
SPRING,RR SHOCK,SOFTR (Ref # 22)	92081-1291	(1
SPRING,RR SHOCK,HARDR (Ref # 22)	92081-1292	(1