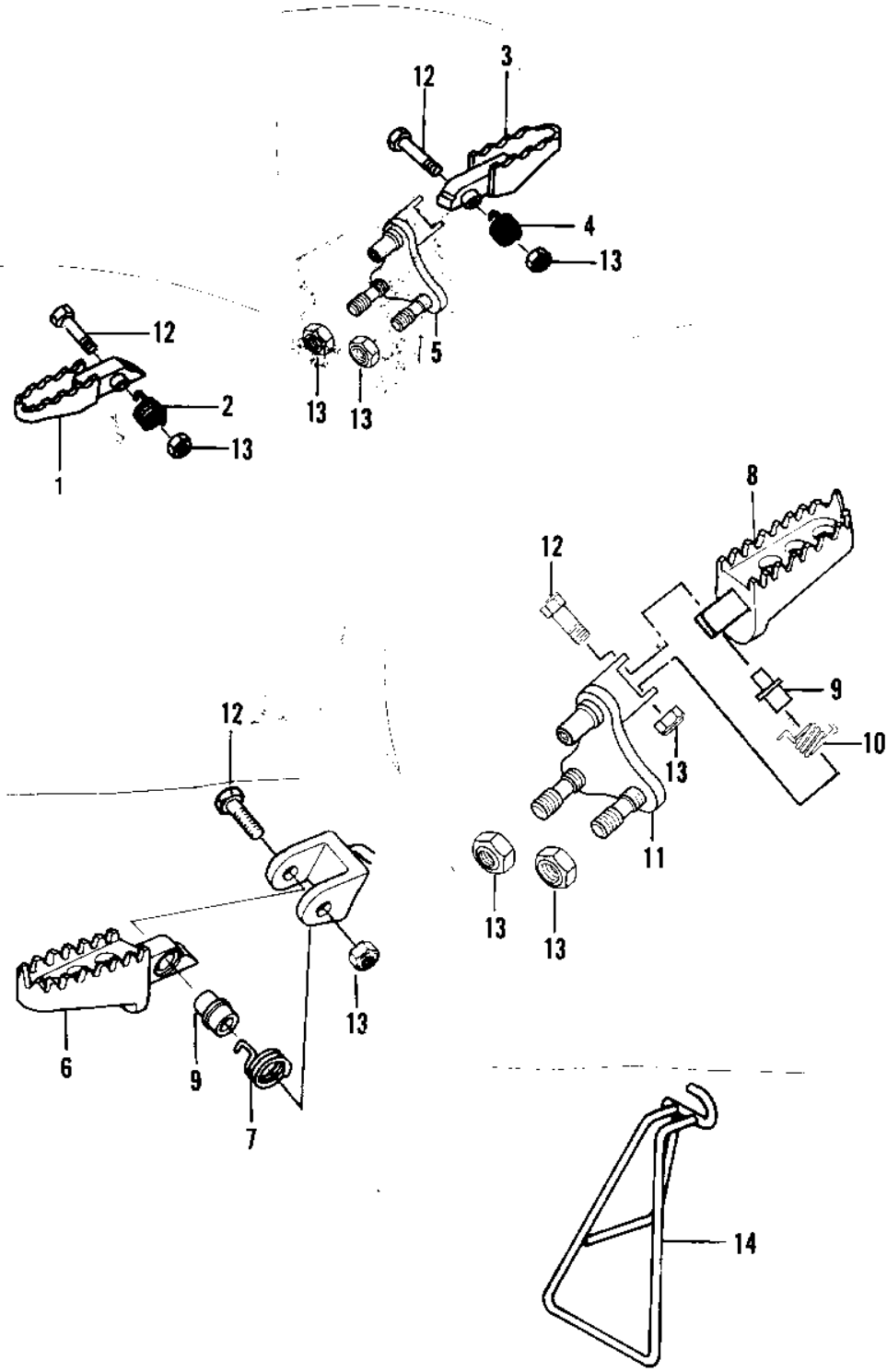


# 1980 KX250 PARTS DIAGRAM

## FOOTRESTS/STAND



# 1980 KX250 PARTS LIST

## FOOTRESTS/STAND

ITEM NAME	PART NUMBER	QUANTITY
STEP (Ref # 1)	34028-1034	1
SPRING,L.H,FOOTREST (Ref # 2)	92081-1254	1
STEP (Ref # 3)	34028-1033	1
SPRING,R.H,FOOTREST (Ref # 4)	92081-1255	1
HOLDER,FOOTREST STEP (Ref # 5)	34003-1049	1
BOLT,HEX HEAD 10X40 (Ref # 12)	92001-1028	2
NUT,LOCK,10MM (Ref # 13)	92019-021	4
STAND-SIDE (Ref # 14)	34024-1037	1