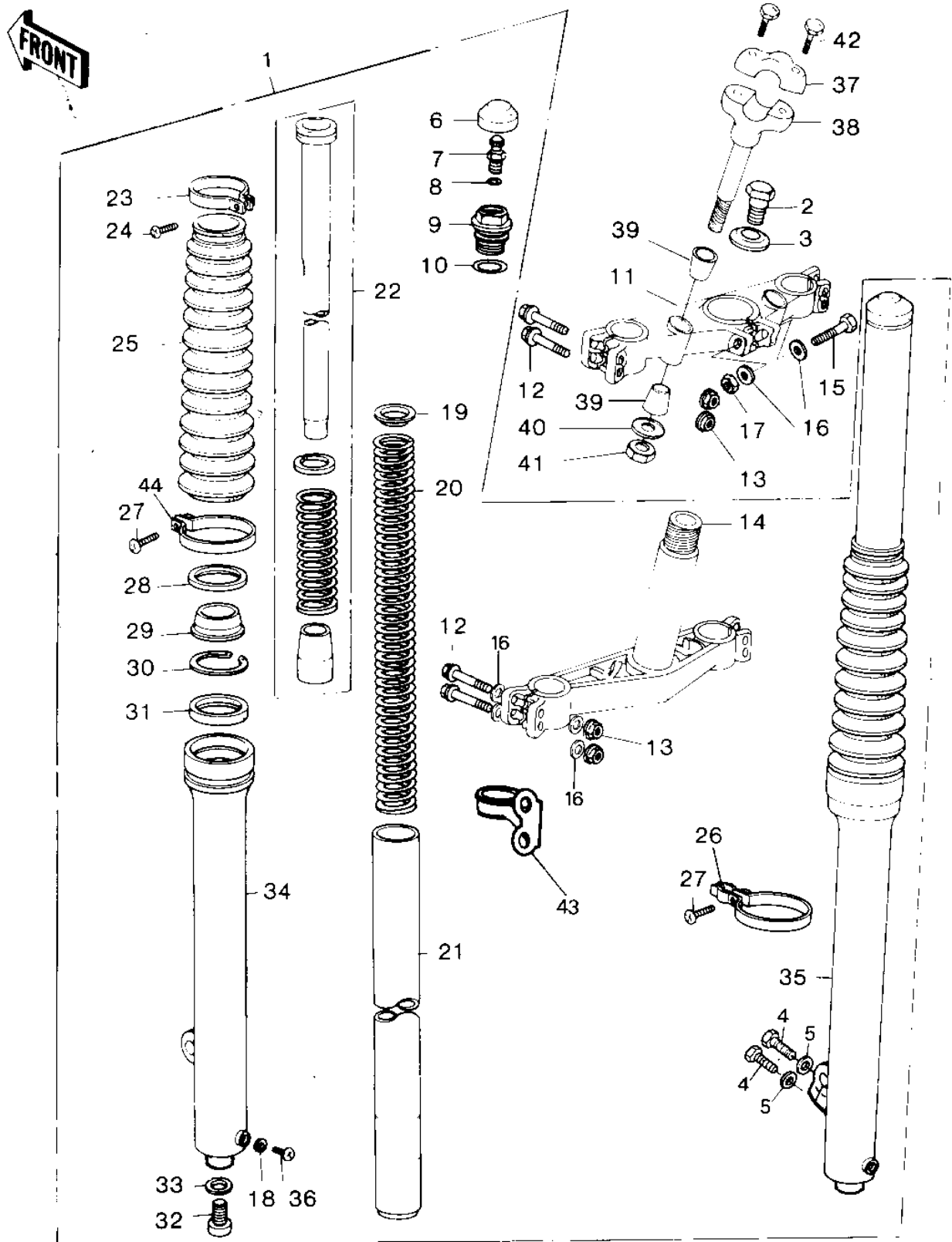


1980 KX250 PARTS DIAGRAM

FRONT FORK (KX250-A6)



1980 KX250 PARTS LIST

FRONT FORK (KX250-A6)

ITEM NAME	PART NUMBER	QUANTITY
FORK-FRONT (Ref # 1)	44001-1118	1
BOLT,FORK TOP (Ref # 2)	44041-065	1
WASHER (Ref # 3)	44043-052	1
BOLT-SMALL-UPSET 8X25 (Ref # 4)	115G0825	2
WASHER SPRING 8MM (Ref # 5)	461F0800	2
CAP,RUBBER,FORK TOP (Ref # 6)	44029-1009	2
VALVE ASSY,AIR (Ref # 7)	16126-1003	2
"0" RING,AIR VALVE (Ref # 8)	92055-1018	2
CAP,FORK TOP (Ref # 9)	44029-1008	2
"0" RING,FORK TOP CAP (Ref # 10)	92055-1050	2
HEAD,STEERING STEM (Ref # 11)	44039-4004	1
BOLT FLANGED 8X55 (Ref # 12)	92001-1398	8
NUT 8MM (Ref # 13)	311G0800	8
STEM,STEERING (Ref # 14)	44037-1048	1
NUT,LOCK,8MM (Ref # 15)	92015-1124	1
WASHER PLAIN 8MM (Ref # 16)	410B0800	9
NUT,LOCK,8MM (Ref # 17)	92015-1124	1
GASKET FORK DRAIN PLG (Ref # 18)	44045-002	2
GUIDE,FORK SPRING (Ref # 19)	44028-1003	2
SPRING,FORK INNER (Ref # 20)	44026-1042	2
TUBE,FORK INNER (Ref # 21)	44013-1028	2
CYLINDER-FORK (Ref # 22)	44022-1032	2
BAND,BOOTS (Ref # 23)	92072-1008	2
SCREW-PAN-CROS (Ref # 24)	220B0420	2
BOOT,FORK,L.GREEN (Ref # 25)	49006-1027	2
CLAMP,BOOT,L.H (Ref # 26)	92072-1026	1
SCREW PAN HEAD 6X20 (Ref # 27)	220B0620	2
CASE,DUST SHIELD (Ref # 28)	32099-1013	2
DUST SHIELD,FORK OUTR (Ref # 29)	92093-1035	2

1980 KX250 PARTS LIST

FRONT FORK (KX250-A6)

ITEM NAME	PART NUMBER	QUANTITY
SNAP RING,FORK OUTER (Ref # 30)	92033-1047	2
OIL SEAL,FORK OUT TUB (Ref # 31)	92049-1042	2
BOLT,FORK CYLINDER (Ref # 32)	92001-1309	2
GASKET,FORK CYLINDER (Ref # 33)	11009-1127	2
TUBE,LH,FORK OUTER (Ref # 34)	44005-1037	1
TUBE,RH,FORK OUTER (Ref # 35)	44006-1037	1
SCREW PAN HEAD 4X8 (Ref # 36)	220B0408	2
HOLDER-HANDLEBAR (Ref # 37)	46012-008	2
HOLDER-HANDLEBAR LOW (Ref # 38)	46012-010	2
DAMPER RUBBER,HANDLE (Ref # 39)	92075-275	4
WASHER-HANDLEBAR FIT (Ref # 40)	92022-196	2
NUT,LOCK,10MM (Ref # 41)	92019-021	2
BOLT 8X38 (Ref # 42)	92001-1405	4
CLAMP,CABLE (Ref # 43)	92072-1027	1
CLAMP,BOOT,R.H (Ref # 44)	92072-1025	1