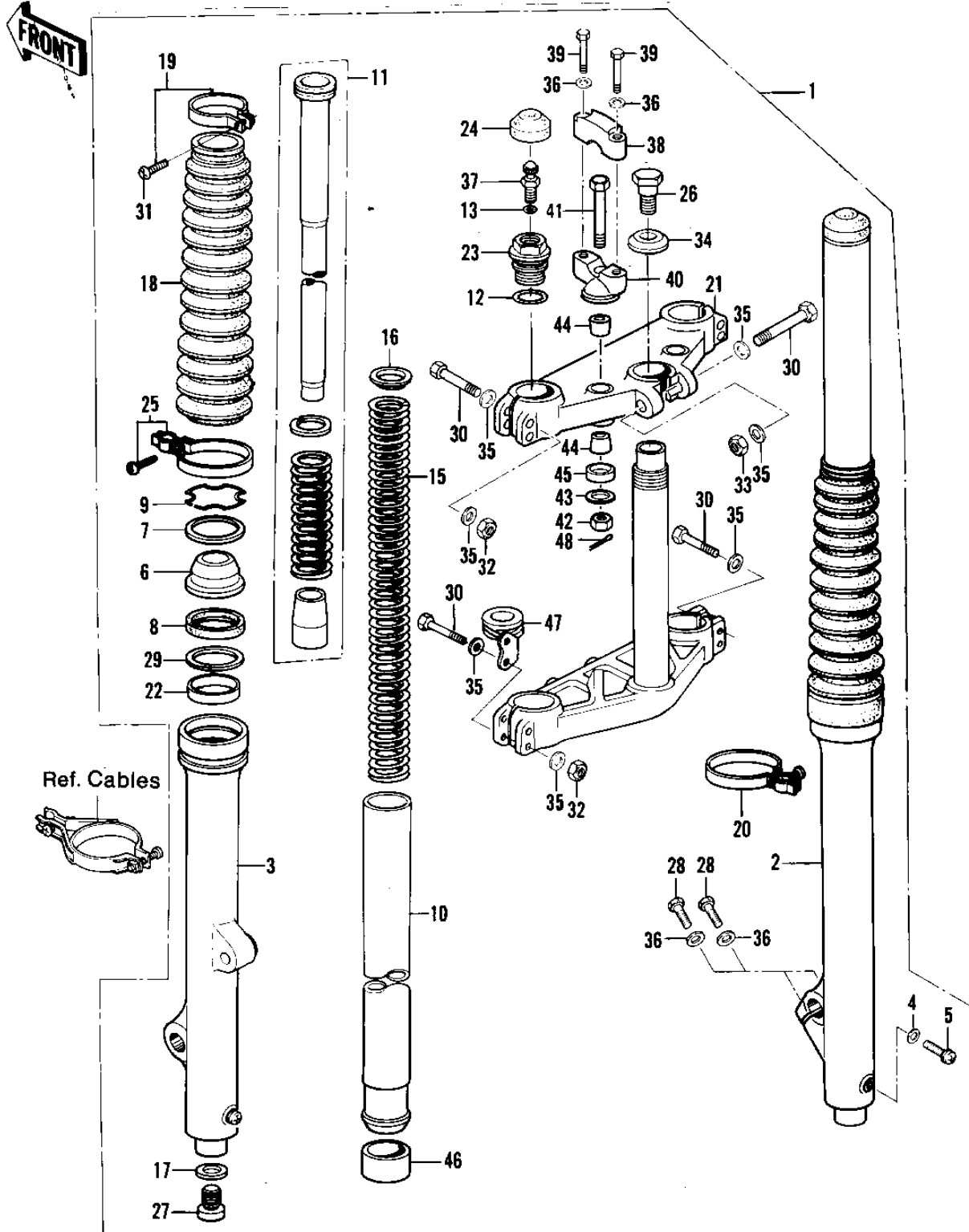


1980 KX250 PARTS DIAGRAM

FRONT FORK (KX250-A7)



1980 KX250 PARTS LIST

FRONT FORK (KX250-A7)

ITEM NAME	PART NUMBER	QUANTITY
FORK-FRONT (Ref # 1)	44001-1272	1
UNAVAILABLE IN PRICE BOOK (Ref # 1)	44001-1255	1
TUBE,RH,FORK OUTER (Ref # 2)	44006-1064	1
TUBE,LH,FORK OUTER (Ref # 3)	44005-1064	1
GASKET FORK DRAIN PLG (Ref # 4)	44045-002	2
SCREW PAN HEAD 4X8 (Ref # 5)	220B0408	2
DUST SHIELD,FORK OUTR (Ref # 6)	92093-1035	2
CASE,DUST SHIELD (Ref # 7)	32099-1013	2
OIL SEAL,FORK OUT TUB (Ref # 8)	92049-1042	2
SNAP RING,FORK OUTER (Ref # 9)	92033-1047	2
TUBE-FORK INNER (Ref # 10)	44013-1053	2
CYLINDER-FORK (Ref # 11)	44022-1052	2
"0" RING,FORK TOP CAP (Ref # 12)	92055-1050	2
"0" RING,AIR VALVE (Ref # 13)	92055-1018	2
STEM,STEERING (Ref # 14)	44037-1065	1
SPRING,FORK INNER (Ref # 15)	44026-1042	2
GUIDE,FORK SPRING (Ref # 16)	44028-1003	2
GASKET,FORK CYLINDER (Ref # 17)	11009-1127	2
BOOT,FORK,LIME GREEN (Ref # 18)	49006-1058	2
BAND,BOOT (Ref # 19)	92072-1046	2
CLAMP,BOOT,R.H (Ref # 20)	92072-1025	1
BRACKET-UPPER (Ref # 21)	44039-1040	1
BUSHING-FRONT FORK,OU (Ref # 22)	44065-1091	2
CAP,FORK TOP (Ref # 23)	44029-1008	2
CAP,RUBBER,FORK TOP (Ref # 24)	44029-1009	2
CLAMP,BOOT,L.H (Ref # 25)	92072-1026	1
BOLT,FORK TOP (Ref # 26)	44041-065	1
BOLT,FORK CYLINDER (Ref # 27)	92001-1309	2
BOLT-SMALL-UPSET 8X25 (Ref # 28)	115G0825	2

1980 KX250 PARTS LIST

FRONT FORK (KX250-A7)

ITEM NAME	PART NUMBER	QUANTITY
WASHER,FORK OUT PIPE (Ref # 29)	92022-1262	2
BOLT FLANGED 8X55 (Ref # 30)	92001-1398	9
SCREW-PAN-CROS (Ref # 31)	220B0420	2
NUT 8MM (Ref # 32)	311G0800	8
NUT,LOCK,8MM (Ref # 33)	92015-1124	1
WASHER (Ref # 34)	44043-052	1
WASHER PLAIN 8MM (Ref # 35)	410B0800	18
WASHER SPRING 8MM (Ref # 36)	461F0800	6
VALVE ASSY,AIR (Ref # 37)	16126-1003	2
HOLDER-HANDLE (Ref # 38)	46012-1014	2
BOLT,SMALL UPSET (Ref # 39)	115G0835	4
HOLDER HANDLE (Ref # 40)	46012-1012	2
BOLT (Ref # 41)	92001-1436	2
NUT (Ref # 42)	92015-1142	2
WASHER,FORK OUT PIPE (Ref # 43)	92022-1262	2
DAMPER,RUBBER (Ref # 44)	92075-1307	4
COVER-DAMPER RUBBER (Ref # 45)	11012-1165	2
BUSHING,FORK PIPE (Ref # 46)	92028-1126	2
CLAMP,CABLE (Ref # 47)	92072-1027	1
PIN COTTER 2.0X20 (Ref # 4)	550D2020	2