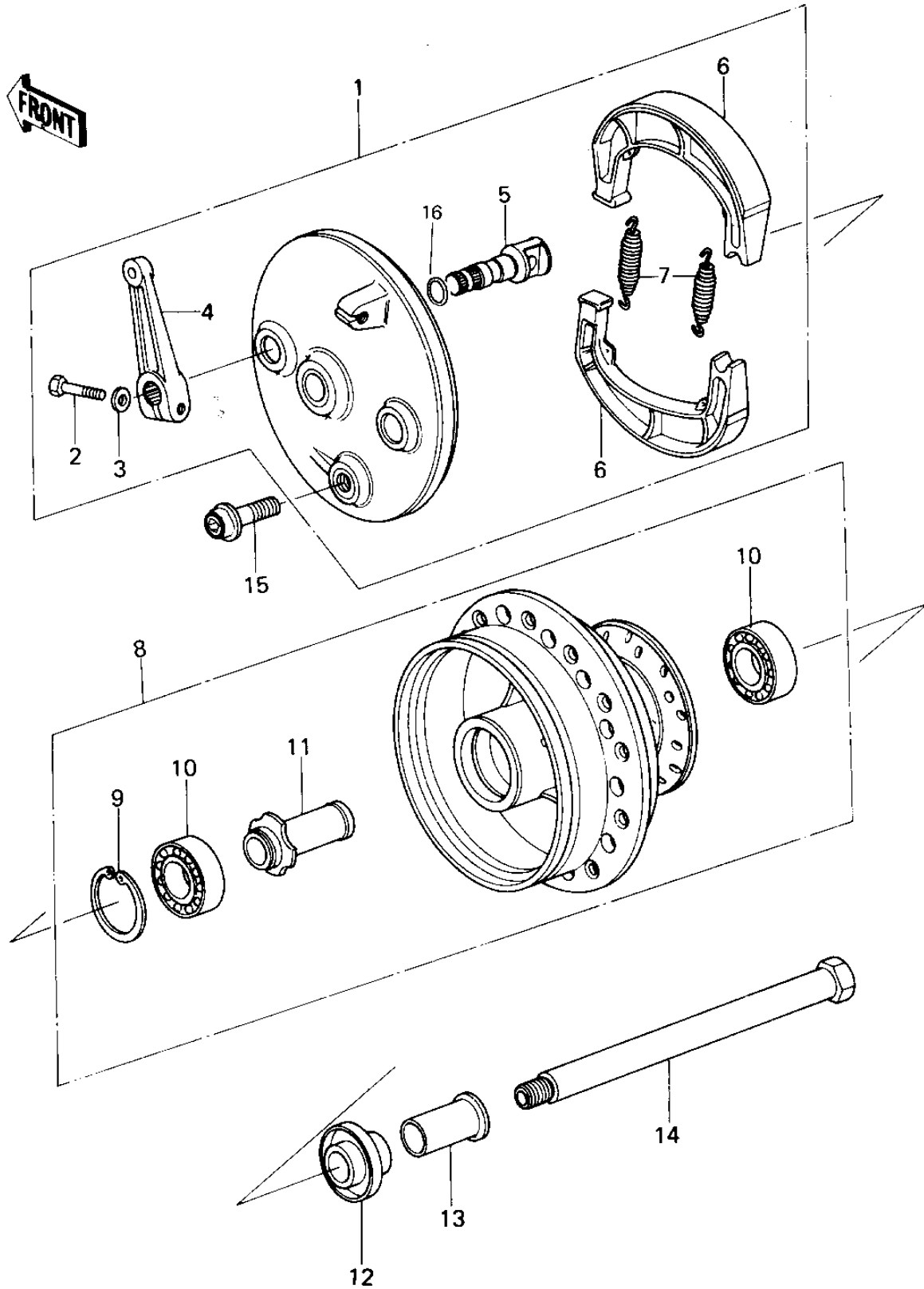


1980 KX250 PARTS DIAGRAM

FRONT HUB/BRAKE



1980 KX250 PARTS LIST

FRONT HUB/BRAKE

ITEM NAME	PART NUMBER	QUANTITY
PANEL-ASY,FR BRK (Ref # 1)	41035-1002	1
BOLT-UPSET (Ref # 2)	112G0622	1
WASHER PLAIN 6MM (Ref # 3)	410B0600	1
LEVER,FRONT BRAKE CAM (Ref # 4)	41053-1003	1
CAM SHAFT,BRAKE (Ref # 5)	41050-1002	1
SHOE-BRAKE (Ref # 6)	41048-1068	2
SPRING-BRAKE SHOE (Ref # 7)	42020-004	2
DRUM-ASSY,FR BRK,BLK (Ref # 8)	41034-1006-21	1
CIRCLIP,42MM (Ref # 9)	92033-1041	1
BEARING,FRONT DRUM (Ref # 10)	92045-033	2
COLLAR,FRONT BRAKE (Ref # 11)	92027-1034	1
COLLAR,FRONT AXLE (Ref # 12)	92027-1035	1
COLLAR,FRONT AXLE (Ref # 13)	92027-1178	1
AXLE,FRONT (Ref # 14)	41068-1006	1
BOLT,SOCKET,10X45 (Ref # 15)	92001-1202	1
"O" RING,15MM (Ref # 16)	670B2015	1