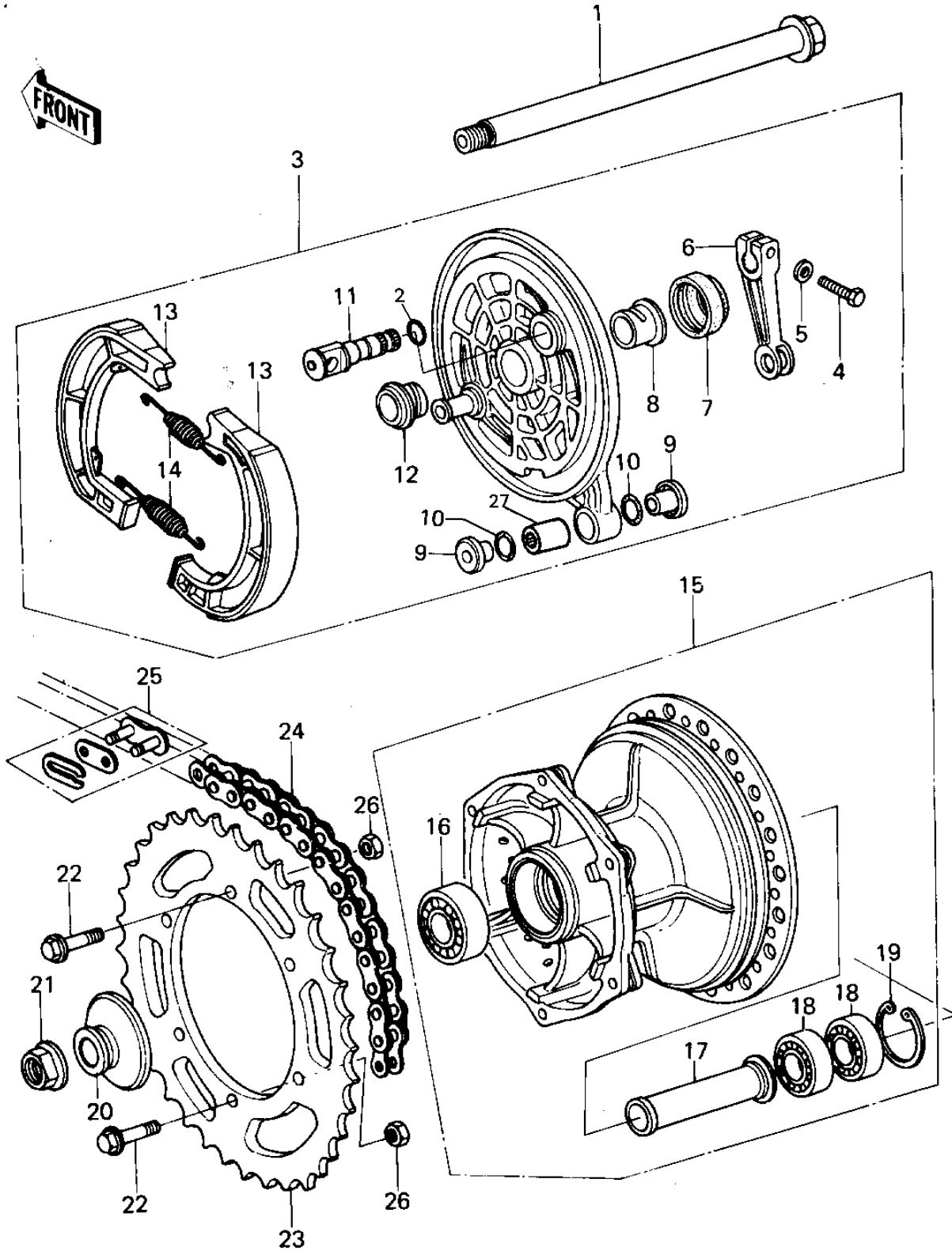


1980 KX250 PARTS DIAGRAM

REAR HUB/BRAKE/CHAIN



1980 KX250 PARTS LIST

REAR HUB/BRAKE/CHAIN

ITEM NAME	PART NUMBER	QUANTITY
AXLE,REAR (Ref # 1)	41068-1033	1
AXLE,REAR (Ref # 1)	41068-1059	1
"O" RING,15MM (Ref # 2)	670B2015	1
PANEL-ASY,RR BRK (Ref # 3)	41035-4001	1
BOLT-UPSET (Ref # 4)	112G0622	1
WASHER PLAIN 6MM (Ref # 5)	410B0600	1
LEVER,REAR BRAKE CAM (Ref # 6)	41053-1004	1
OIL SEAL (Ref # 7)	92093-1004	1
SLEEVE,REAR PANEL,R.H (Ref # 8)	42036-1035	1
COLLAR (Ref # 9)	92027-1040	2
"O" RING,11M/M (Ref # 10)	670C2011	2
CAM SHAFT,BRAKE (Ref # 11)	41050-1002	1
SLEEVE,REAR BRAKE (Ref # 12)	42036-1009	1
SHOE,BRAKE (Ref # 13)	42019-011	2
SPRING-BRAKE SHOE (Ref # 14)	42020-004	2
DRUM-ASSY,RR BRK (Ref # 15)	41034-1019	1
BEARING,BALL,6204UUC3 (Ref # 16)	601B6204UU	1
COLLAR,REAR BRAKE (Ref # 17)	92027-1207	1
BEARING-BALL,#6003UC3 (Ref # 18)	601B6003U	2
CIRCLIP,35MM (Ref # 19)	481J3500	1
COLLAR,REAR AXLE,L.H (Ref # 20)	92027-4005	1
NUT,16M/M (Ref # 21)	92015-1015	1
BOLT,HEX HEAD,8X36 (Ref # 22)	92001-1041	6
REAR SPROCKET,50T STD (Ref # 23)	42041-1006	1
SPROCKET,REAR,48T (Ref # 23)	42041-4001	1
SPROCKET,REAR,46T (Ref # 23)	42041-4002	(1
CHAIN,DRIVE,DID520DSX (Ref # 24)	92057-1317	1
CHAIN JOINT 520 (Ref # 25)	92058-1002	1
NUT,LOCK,8MM (Ref # 26)	92015-1124	6

1980 KX250 PARTS LIST

REAR HUB/BRAKE/CHAIN

ITEM NAME	PART NUMBER	QUANTITY
NUT,8MM (Ref # 26)	92015-1134	6
BEARING,NEEDLE (Ref # 27)	92046-1009	1