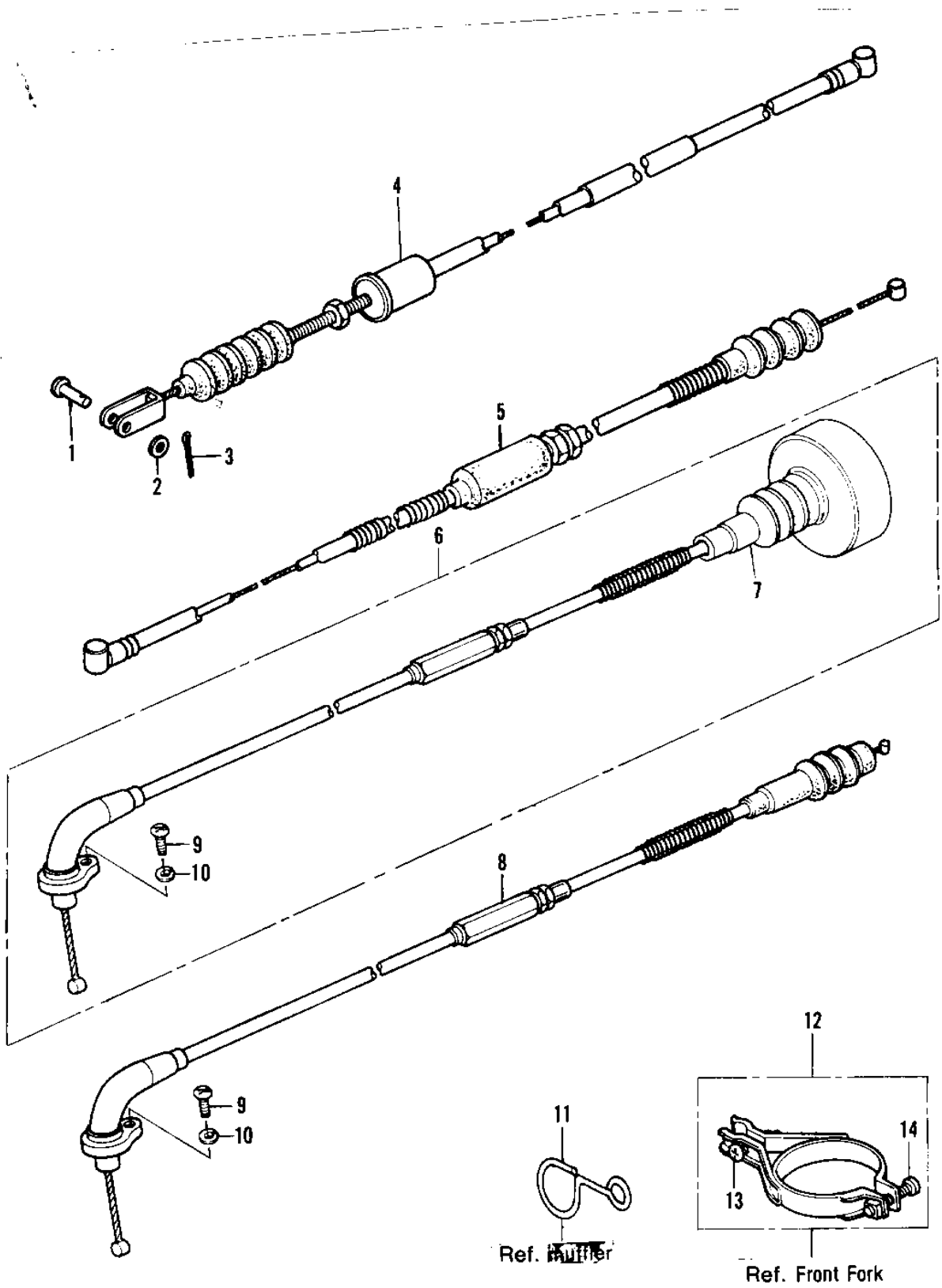


1980 KX250 PARTS DIAGRAM

CABLES



1980 KX250 PARTS LIST

CABLES

ITEM NAME	PART NUMBER	QUANTITY
PIN-BRAKE ROD FITTING (Ref # 1)	92043-064	1
WASHER PLAIN 6MM (Ref # 2)	410B0600	1
PIN COTTER 2.0X15 (Ref # 3)	550D2015	1
CABLE,BRAKE (Ref # 4)	54005-4002	1
CABLE,CLUTCH (Ref # 5)	54011-1033	1
CABLE,THROTTLE (Ref # 6)	54012-1057	1
BOOT,THROTTLE CABLE (Ref # 7)	49006-1016	1
CABLE-THROTTLE (Ref # 8)	54012-1095	1
SCREW PAN HEAD 5X10 (Ref # 9)	220B0510	1
WASHER SPRING 5MM (Ref # 10)	461F0500	1
CLAMP,CLUTCH CABLE (Ref # 11)	92037-1202	1
CLAMP,CABLE (Ref # 12)	92037-1072	1
SCREW-PAN-CRROSS,4X12 (Ref # 13)	220B0412	1
SCREW-PAN-CROS,5X25 (Ref # 14)	220B0525	1