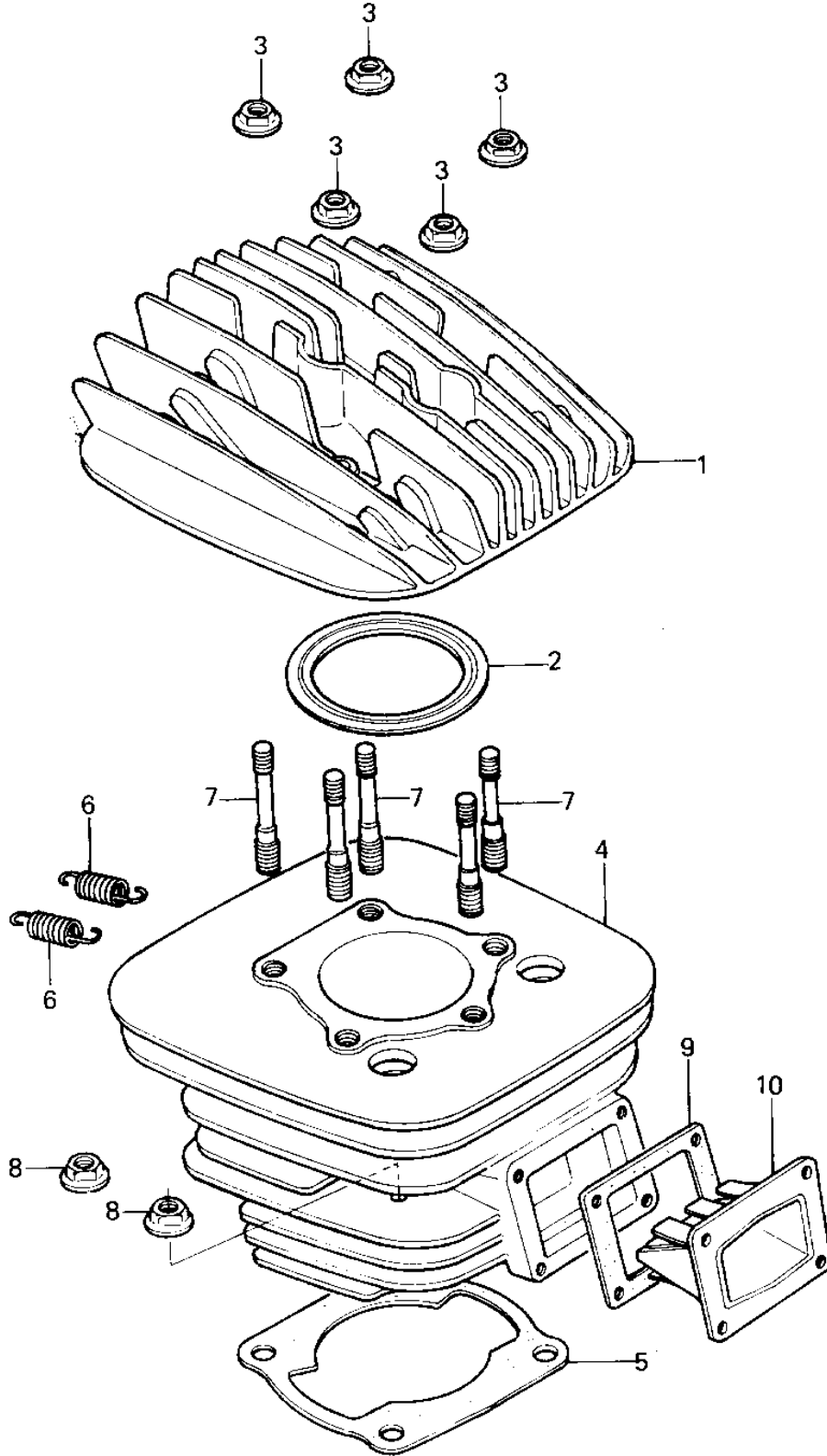


# 1980 KX125 PARTS DIAGRAM

CYLINDER HEAD/CYLINDER/REED VALVE ('80 A)



# 1980 KX125 PARTS LIST

CYLINDER HEAD/CYLINDER/REED VALVE ('80 A)

ITEM NAME	PART NUMBER	QUANTITY
HEAD-CYLINDER (Ref # 1)	11001-1055	1
GASKET,CYLINDER HEAD (Ref # 2)	11004-1023	1
NUT,8M/M (Ref # 3)	92015-1014	5
CYLINDER,ELECTRO-FUSE (Ref # 4)	11005-1067	1
GASKET,CYLINDER BASE (Ref # 5)	11009-1175	1
SPRING-CONNECTOR (Ref # 6)	18071-003	2
STUD,CYLINDER (Ref # 7)	92004-1026	5
NUT,8M/M (Ref # 8)	92015-1014	4
GASKET,REED VALVE (Ref # 9)	11009-1018	1
VALVE ASSY,REED (Ref # 10)	12021-1007	1