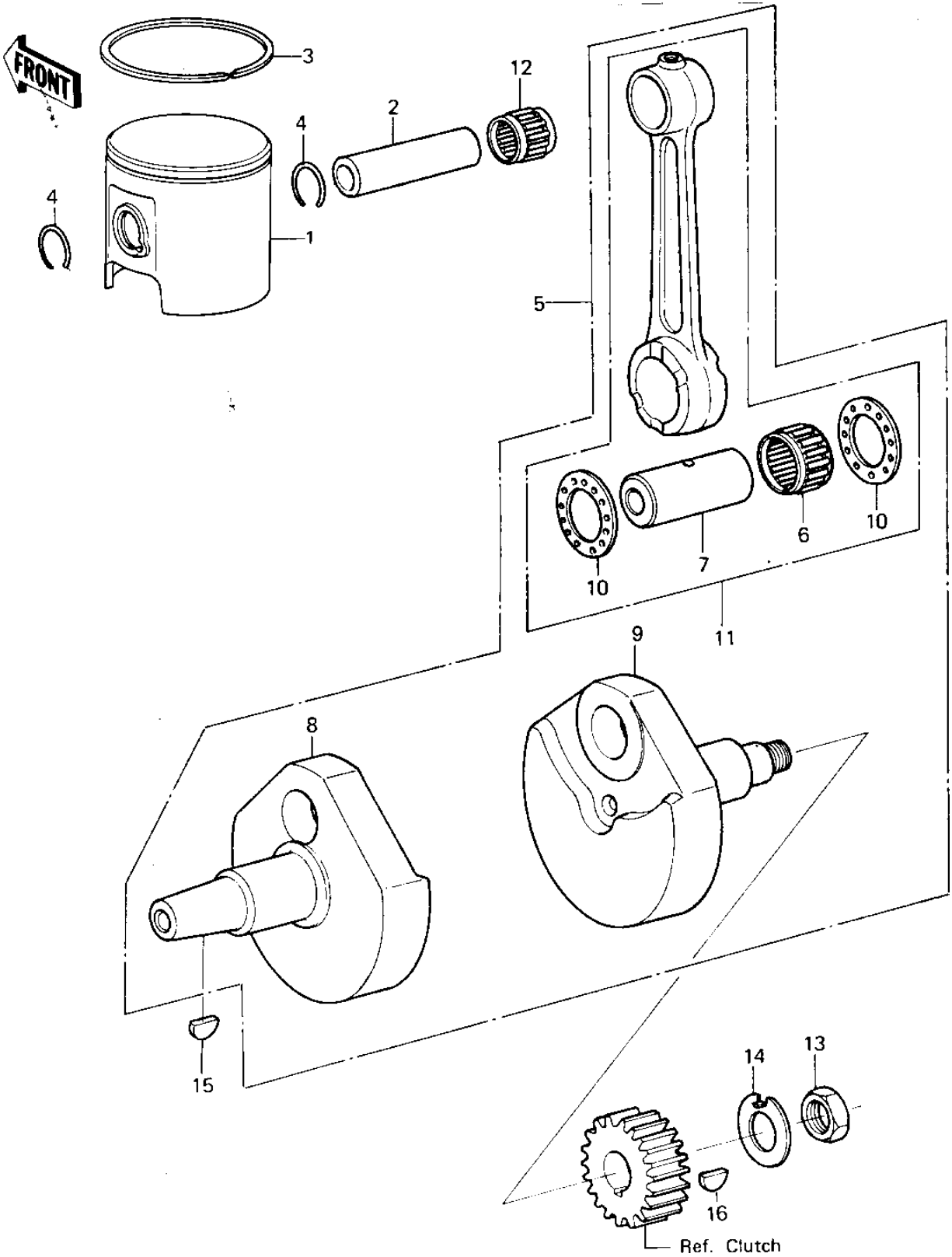


# 1980 KX125 PARTS DIAGRAM

CRANKSHAFT/PISTON ('80 A6)



# 1980 KX125 PARTS LIST

## CRANKSHAFT/PISTON ('80 A6)

ITEM NAME	PART NUMBER	QUANTITY
PISTON-ENGINE (Ref # 1)	13001-1052	1
PIN-PISTON (Ref # 2)	13002-1003	1
RING,PISTON,S.T.D (Ref # 3)	13003-1060	1
CIRCLIP PISTON PIN (Ref # 4)	92036-004	2
CRANKSHAFT ASSY (Ref # 5)	13031-1032	1
NEEDLE BEARING,BIG EN (Ref # 6)	13034-1002	1
PIN,CRANK (Ref # 7)	13035-1001	1
CRANKSHAFT,L.H (Ref # 8)	13037-1062	1
CRANKSHAFT,R.H (Ref # 9)	13037-1063	1
WASHER SIDE (Ref # 10)	92026-011	2
CONNECTING ROD ASSY (Ref # 11)	13044-5017	1
NEEDLE BEARING,SML EN (Ref # 12)	13033-1001	1
NUT 12MM (Ref # 13)	92015-006	1
WASHER,LOCK (Ref # 14)	92022-1063	1
WOODRUFF KEY (Ref # 15)	92038-001	1
WOODRUFF KEY PRY PINI (Ref # 16)	92038-003	1