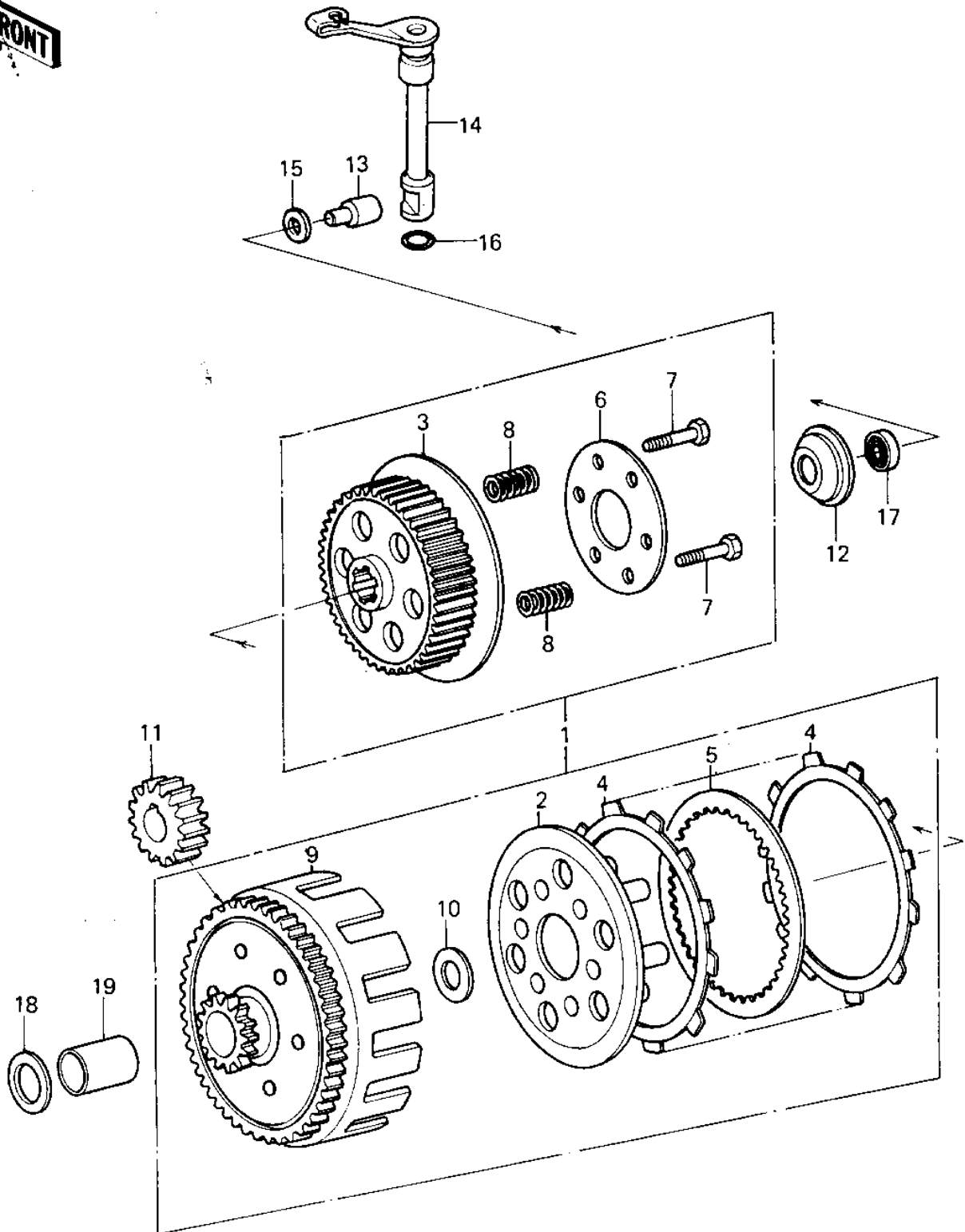


# 1980 KX125 PARTS DIAGRAM

CLUTCH ('80 A6)



# 1980 KX125 PARTS LIST

## CLUTCH ('80 A6)

ITEM NAME	PART NUMBER	QUANTITY
CLUTCH-ASSY (Ref # 1)	13081-1060	1
WHEEL,CLUTCH (Ref # 2)	13086-1001	1
HUB,CLUTCH (Ref # 3)	13087-1002	1
PLATE-FRICTION (Ref # 4)	13088-1015	6
PLATE CLUTCH STEEL (Ref # 5)	13089-003	5
HOLDER,CLUTCH (Ref # 6)	13091-015	1
BOLT,HEX HEAD,5X18 (Ref # 7)	110G0518A	6
SPRING,CLUTCH (Ref # 8)	92081-123	6
HOUSING,CLUTCH (Ref # 9)	13095-1028	1
WASHER,PLAIN (Ref # 10)	92022-270	1
GEAR,PRIMARY,20T (Ref # 11)	13097-1032	1
HOLDER,CLUTCH PUSHER (Ref # 12)	13091-1071	1
PUSHER,CLUTCH (Ref # 13)	13114-1004	1
LEVER ASSY,CLUTCH RLS (Ref # 14)	13236-1022	1
WASHER PLAIN 6MM (Ref # 15)	411B0600	1
"O" RING, 10MM (Ref # 16)	670B2010	1
BEARING-BALL (Ref # 17)	92045-1211	1
WASHER,PLAIN (Ref # 18)	92022-270	1
BUSHING,CLUTCH (Ref # 19)	92028-1018	1