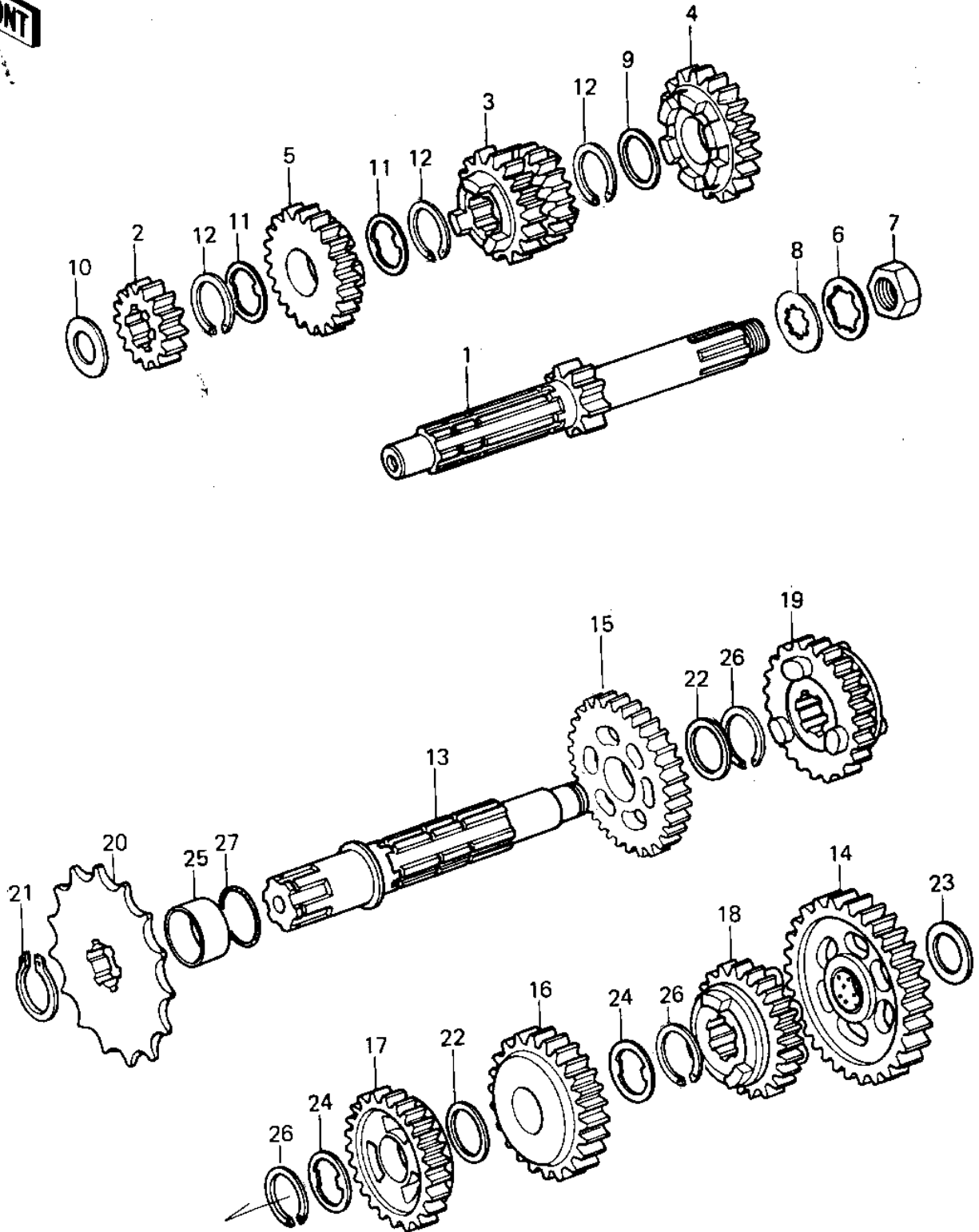


1980 KX125 PARTS DIAGRAM

TRANSMISSION ('80 A6)



1980 KX125 PARTS LIST

TRANSMISSION ('80 A6)

ITEM NAME	PART NUMBER	QUANTITY
SHAFT,DRIVE (Ref # 1)	13127-1030	1
GEAR,INPUT 2ND,18T (Ref # 2)	13129-1299	1
3RD&4THGEAR,DRIVE,SFT (Ref # 3)	13129-1120	1
5TH GER,DRIVE,21T (Ref # 4)	13129-1065	1
TOP GEAR,DRIVE,22T (Ref # 5)	13129-1066	1
WASHER,TOOTHED,16M/M (Ref # 6)	463H1600	1
NUT 16MM (Ref # 7)	92016-036	1
WASHER,LOCK (Ref # 8)	92022-1124	1
WASHER (Ref # 9)	92022-252	1
WASHER,THRUST,15MM (Ref # 10)	92022-279	1
WASHER,LOCK (Ref # 11)	92024-059	2
CIRCLIP,18MM (Ref # 12)	92033-029	3
SHAFT,OUTPUT (Ref # 13)	13128-1039	1
LOW GEAR,OUTPUT,30T (Ref # 14)	13129-1210	1
2ND GEAR,OUTPUT,30T (Ref # 15)	13129-1211	1
3RD GEAR,OUTPUT SHAFT (Ref # 16)	13129-1123	1
4THGEAR,OUTPUT SHAFT (Ref # 17)	13129-1124	1
5TH GEAR,OUTPUT,21T (Ref # 18)	13129-1071	1
TOP GEAR,OUTPUT,20T (Ref # 19)	13129-1072	1
SPROCKET-OUTPUT,12T (Ref # 20)	13144-1049	1
SPROCKET-OUTPUT 13T (Ref # 20)	13144-1050	(1
ENGINE SPROCKET,11T (Ref # 20)	13144-1036	(1
CIRCLIP, 20MM (Ref # 21)	480J2000	1
WASHER (Ref # 22)	92022-252	2
WASHER,THRUST,15MM (Ref # 23)	92022-279	1
WASHER,LOCK (Ref # 24)	92024-059	2
COLLAR,ENGINE SPROCKT (Ref # 25)	92027-1244	1
CIRCLIP,18MM (Ref # 26)	92033-029	3
"0" RING (Ref # 27)	92055-022	1