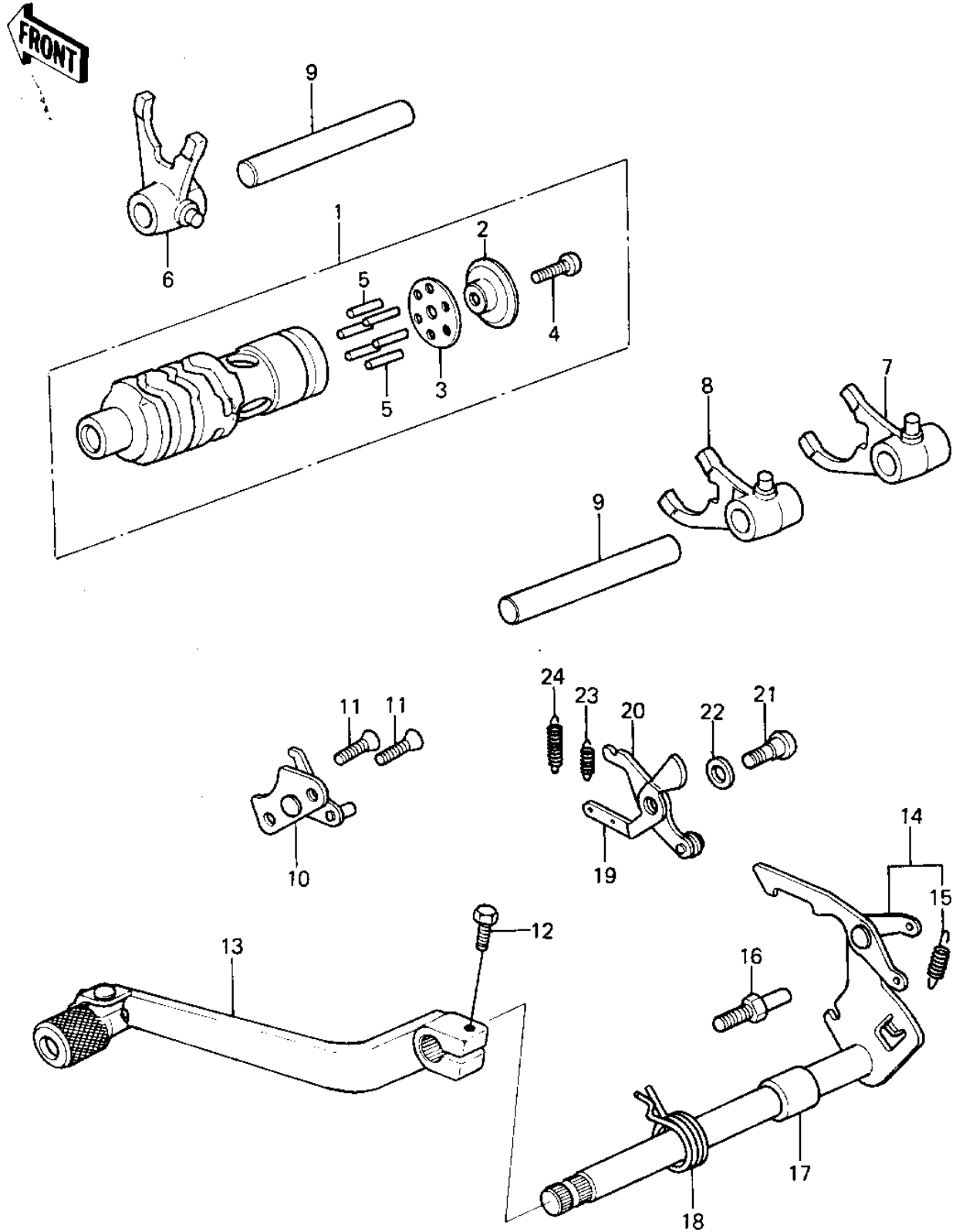


1980 KX125 PARTS DIAGRAM

GEAR CHANGE MECHANISM ('80 A6)



1980 KX125 PARTS LIST

GEAR CHANGE MECHANISM ('80 A6)

ITEM NAME	PART NUMBER	QUANTITY
DRUM ASSY,GEAR CHANGE (Ref # 1)	13239-1030	1
HOLDER, GEAR CHANGE DRUM PIN (Ref # 2)	13142-017	1
PLATE,GEAR CHANGE DRM (Ref # 3)	13169-1225	1
SCREW PAN HEAD 6X14 (Ref # 4)	220B0614	1
PIN,CHANGE DRUM (Ref # 5)	92043-1060	6
SHIFT FORK (Ref # 6)	13140-1034	1
SHIFT FORK (Ref # 7)	13140-1035	1
SHIFT FORK (Ref # 8)	13140-1036	1
ROD,SHIFT,10X90 (Ref # 9)	49047-1009	2
STOPPER ASSY,CNG DRUM (Ref # 10)	13244-1003	1
SCREW CNTSNK HD 6X14 (Ref # 11)	221B0614	2
BOLT-UPSET (Ref # 12)	112G0622	1
LEVER-CHANGE (Ref # 13)	13156-1088	1
LEVER-COMP-CHANGE (Ref # 14)	13161-1031	1
SPRING-CHANGE LEVER (Ref # 15)	92081-076	1
BOLT,RETURN SPRING (Ref # 16)	92001-1401	1
COLLAR,13X18.3X21.5 (Ref # 17)	92027-1440	1
SPRING,TENTION (Ref # 18)	92081-1129	1
LEVER A,GEAR CHANGE (Ref # 19)	13168-1059	1
LEVER B,GEAR CHANGE (Ref # 20)	13236-1023	1
SCREW-PAN HEAD (Ref # 21)	92011-023	1
WASHER,PLAIN (Ref # 22)	92022-1053	1
SPRING,GEAR CHANG LVR (Ref # 23)	92081-1061	1
SPRING (Ref # 24)	92081-119	1