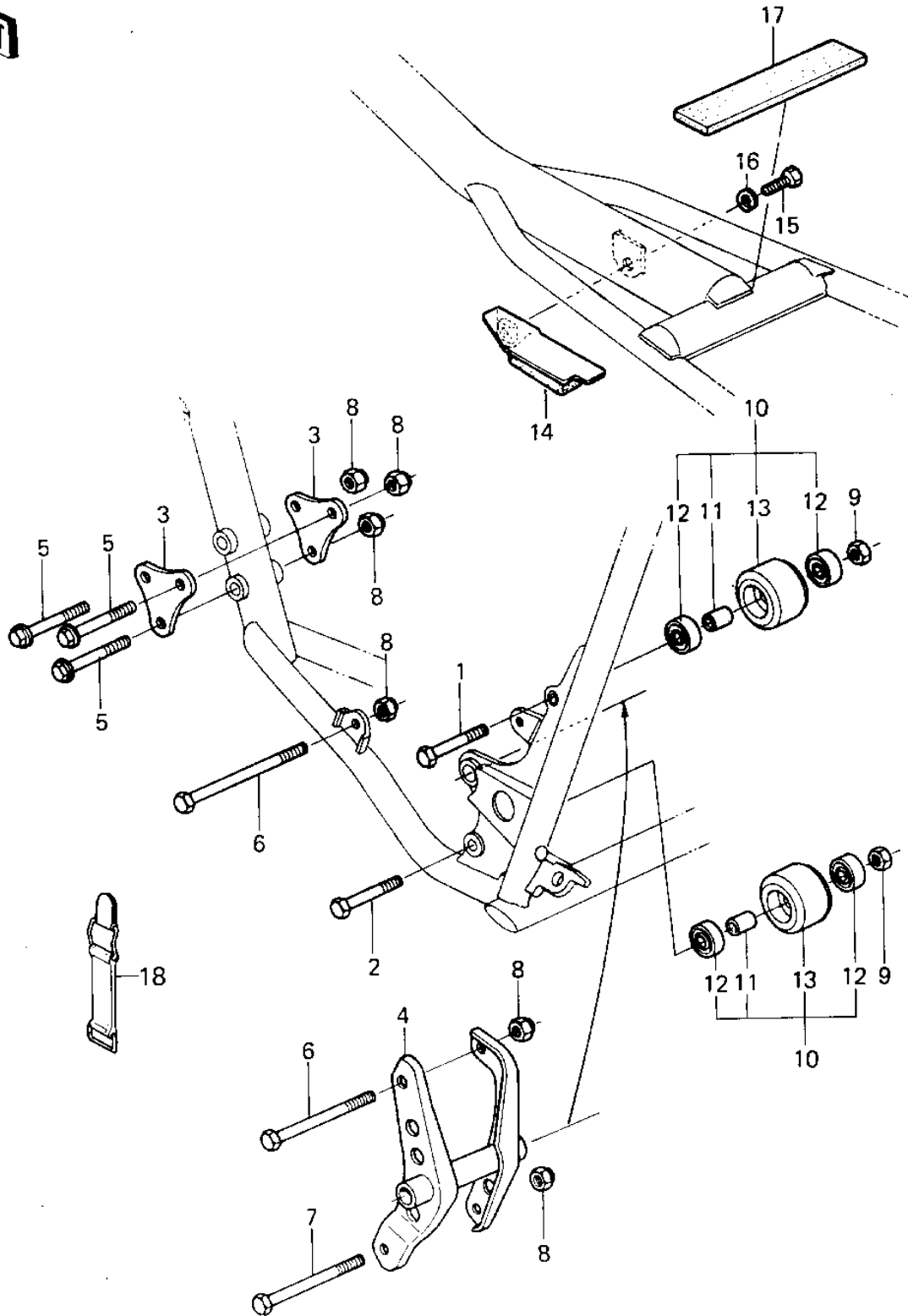


# 1980 KX125 PARTS DIAGRAM

FRAME FITTINGS ('80 A6)



# 1980 KX125 PARTS LIST

## FRAME FITTINGS ('80 A6)

ITEM NAME	PART NUMBER	QUANTITY
BOLT,8X55 (Ref # 1)	92001-1386	1
BOLT FLANGED,8X70 (Ref # 2)	92001-1583	1
BRACKET-ENGINE (Ref # 3)	32029-1140	2
BRACKET,ENGINE REAR (Ref # 4)	32029-1123	1
BOLT,8X69 (Ref # 5)	92001-1410	3
BOLT,FLANGED,8X90 (Ref # 6)	92002-1416	2
BOLT,8X105 (Ref # 7)	92001-1394	1
NUT,LOCK,8MM (Ref # 8)	92015-1124	6
NUT,LOCK,8MM (Ref # 9)	92015-1124	2
ROLLER,ASSY (Ref # 10)	92122-1013	2
COLLAR (Ref # 11)	92027-1081	2
BEARING,BALL (Ref # 12)	92045-1009	4
ROLLER (Ref # 13)	92122-1014	2
DAMPER,REAR SHOCK (Ref # 14)	92075-1249	1
BOLT SMALL (Ref # 15)	114G0812	1
WASHER SPRING 8MM (Ref # 16)	461F0800	1
SEAL (Ref # 17)	92093-1039	1
BAND,FUEL TANK (Ref # 18)	92072-076	1