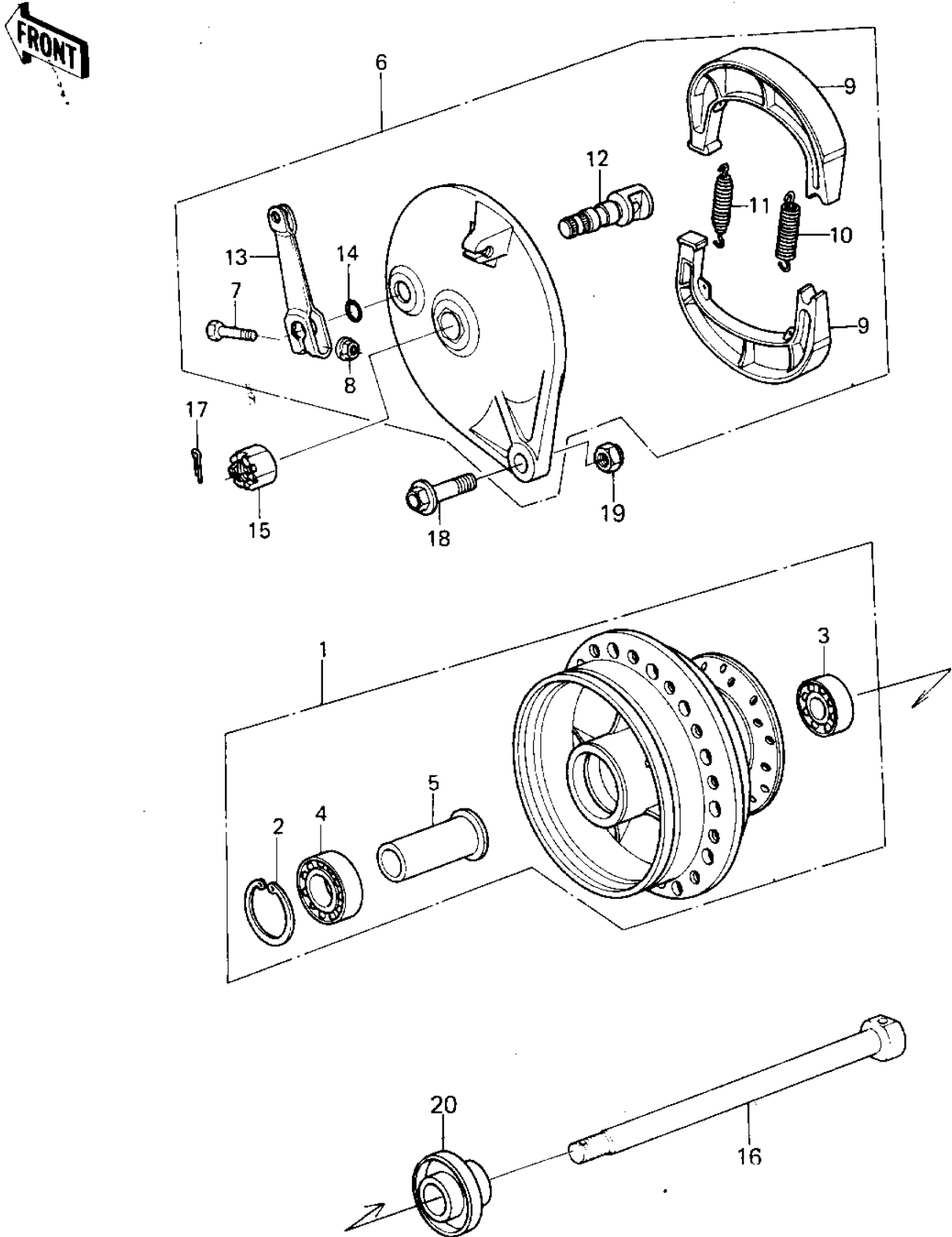


1980 KX125 PARTS DIAGRAM

FRONT HUB/BRAKE ('80 A6)



1980 KX125 PARTS LIST

FRONT HUB/BRAKE ('80 A6)

ITEM NAME	PART NUMBER	QUANTITY
DRUM-ASSY,FR BRK,BLK (Ref # 1)	41034-1009-21	1
CIRCLIP.37MM (Ref # 2)	481J3700	1
BEARING,BALL (Ref # 3)	601B6201U	1
BEARING,BALL (Ref # 4)	601B6301U	1
COLLAR,FRONT BEARING (Ref # 5)	92027-1073	1
PANEL-ASY,FR BRK (Ref # 6)	41035-1030	1
BOLT-UPSET (Ref # 7)	112G0630	1
NUT-6MM (Ref # 8)	92015-1078	1
SHOE,BRAKE (Ref # 9)	41048-015	2
SPRING,BRAKE SHOE (Ref # 10)	92081-1766	1
SPRING,BRAKE SHOE (Ref # 11)	92081-1550	1
CAM SHAFT,FR BRAKE (Ref # 12)	41050-1016	1
LEVER,FR BRAKE CAM (Ref # 13)	41053-1018	1
"O" RING,12MM (Ref # 14)	670B2012	1
NUT-CASTLE (Ref # 15)	320G1200	1
AXLE,FRONT (Ref # 16)	41068-1034	1
PIN,COTTER,3.2X28 (Ref # 17)	550D3228	1
BOLT,10X45 (Ref # 18)	92001-1182	1
NUT,LOCK,10MM (Ref # 19)	92019-021	1
COLLAR,FRONT AXLE (Ref # 20)	92027-1205	1