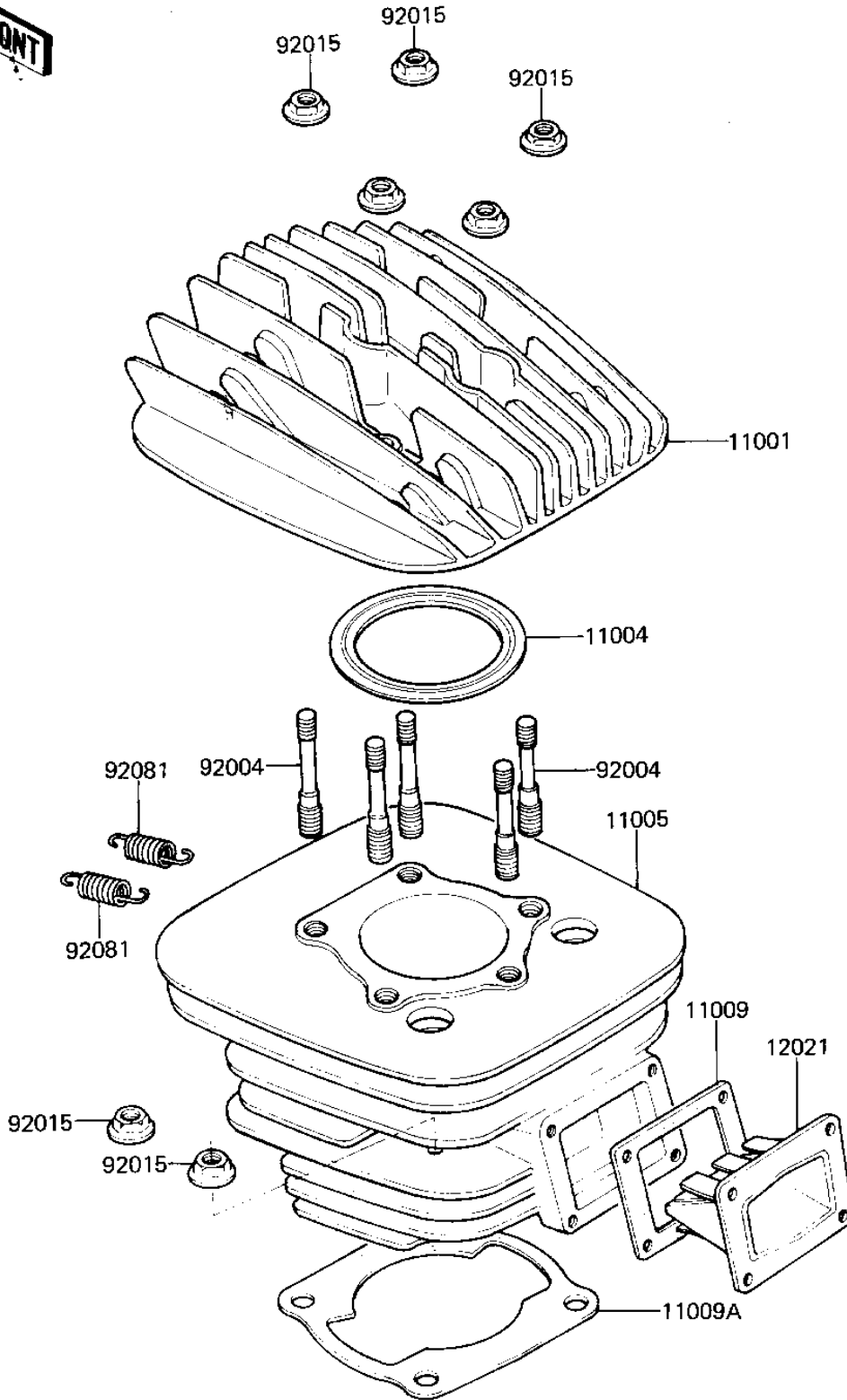


1981 KX125 PARTS DIAGRAM

CYLINDER HEAD/CYLINDER/REED VALVE ('81 A)

E1110-0004



1981 KX125 PARTS LIST

CYLINDER HEAD/CYLINDER/REED VALVE ('81 A)

ITEM NAME	PART NUMBER	QUANTITY
HEAD-CYLINDER (Ref # 11001)	11001-1055	1
GASKET,CYLINDER HEAD (Ref # 11004)	11004-1023	1
CYLINDER-ENGINE (Ref # 11005)	11005-1106	1
GASKET,REED VALVE (Ref # 11009)	11009-1018	1
GASKET,CYLINDER BASE (Ref # 11009A)	11009-1175	1
VALVE ASSY,REED (Ref # 12021)	12021-1007	1
STUD,CYLINDER (Ref # 92004)	92004-1026	5
NUT,8M/M (Ref # 92015)	92015-1014	9
SPRING-CONNECTOR (Ref # 92081)	18071-003	2