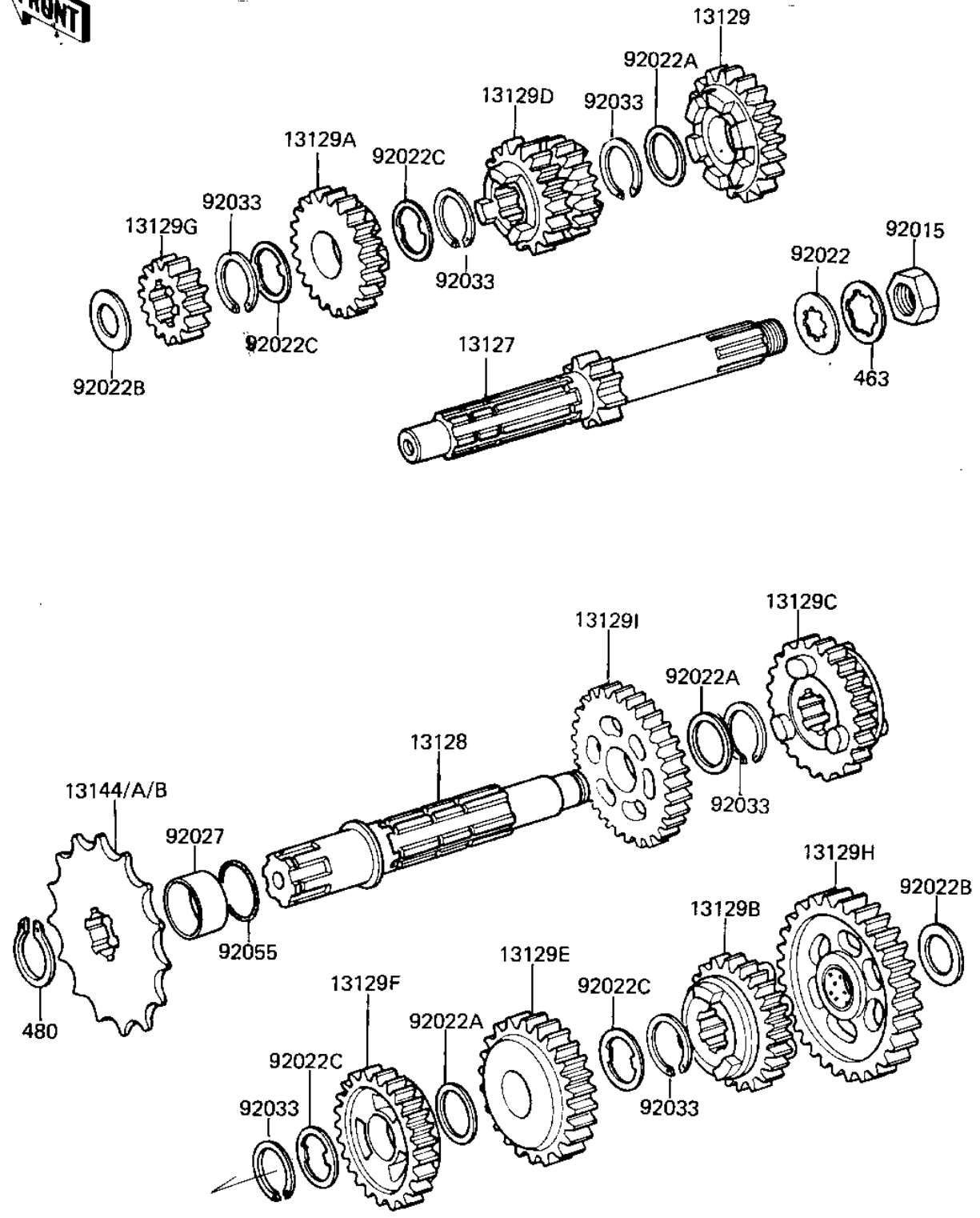


1981 KX125 PARTS DIAGRAM

TRANSMISSION ('81 A7)

E1361-0007



1981 KX125 PARTS LIST

TRANSMISSION ('81 A7)

ITEM NAME	PART NUMBER	QUANTITY
SHAFT,DRIVE (Ref # 13127)	13127-1030	1
SHAFT,OUTPUT (Ref # 13128)	13128-1039	1
5TH GER,DRIVE,21T (Ref # 13129)	13129-1065	1
TOP GEAR,DRIVE,22T (Ref # 13129A)	13129-1066	1
5TH GEAR,OUTPUT,21T (Ref # 13129B)	13129-1071	1
TOP GEAR,OUTPUT,20T (Ref # 13129C)	13129-1072	1
3RD&4THGEAR,DRIVE,SFT (Ref # 13129D)	13129-1120	1
3RD GEAR,OUTPUT SHAFT (Ref # 13129E)	13129-1123	1
4THGEAR,OUTPUT SHAFT (Ref # 13129F)	13129-1124	1
GEAR,INPUT 2ND,18T (Ref # 13129G)	13129-1299	1
LOW GEAR,OUTPUT,30T (Ref # 13129H)	13129-1210	1
2ND GEAR,OUTPUT,30T (Ref # 13129I)	13129-1211	1
ENGINE SPROCKET,11T (Ref # 13144)	13144-1036	1
SPROCKET-OUTPUT,12T (Ref # 13144A)	13144-1049	1
SPROCKET-OUTPUT 13T (Ref # 13144B)	13144-1050	1
NUT 16MM (Ref # 92015)	92016-036	1
WASHER,LOCK (Ref # 92022)	92022-1124	1
WASHER (Ref # 92022A)	92022-252	3
WASHER,THRUST,15MM (Ref # 92022B)	92022-279	2
WASHER,LOCK (Ref # 92022C)	92024-059	4
COLLAR,ENGINE SPROCKT (Ref # 92027)	92027-1244	1
CIRCLIP,18MM (Ref # 92033)	92033-029	6
"O" RING (Ref # 92055)	92055-022	1
WASHER,TOOTHED,16M/M (Ref # 463)	463H1600	1
CIRCLIP, 20MM (Ref # 480)	480J2000	1