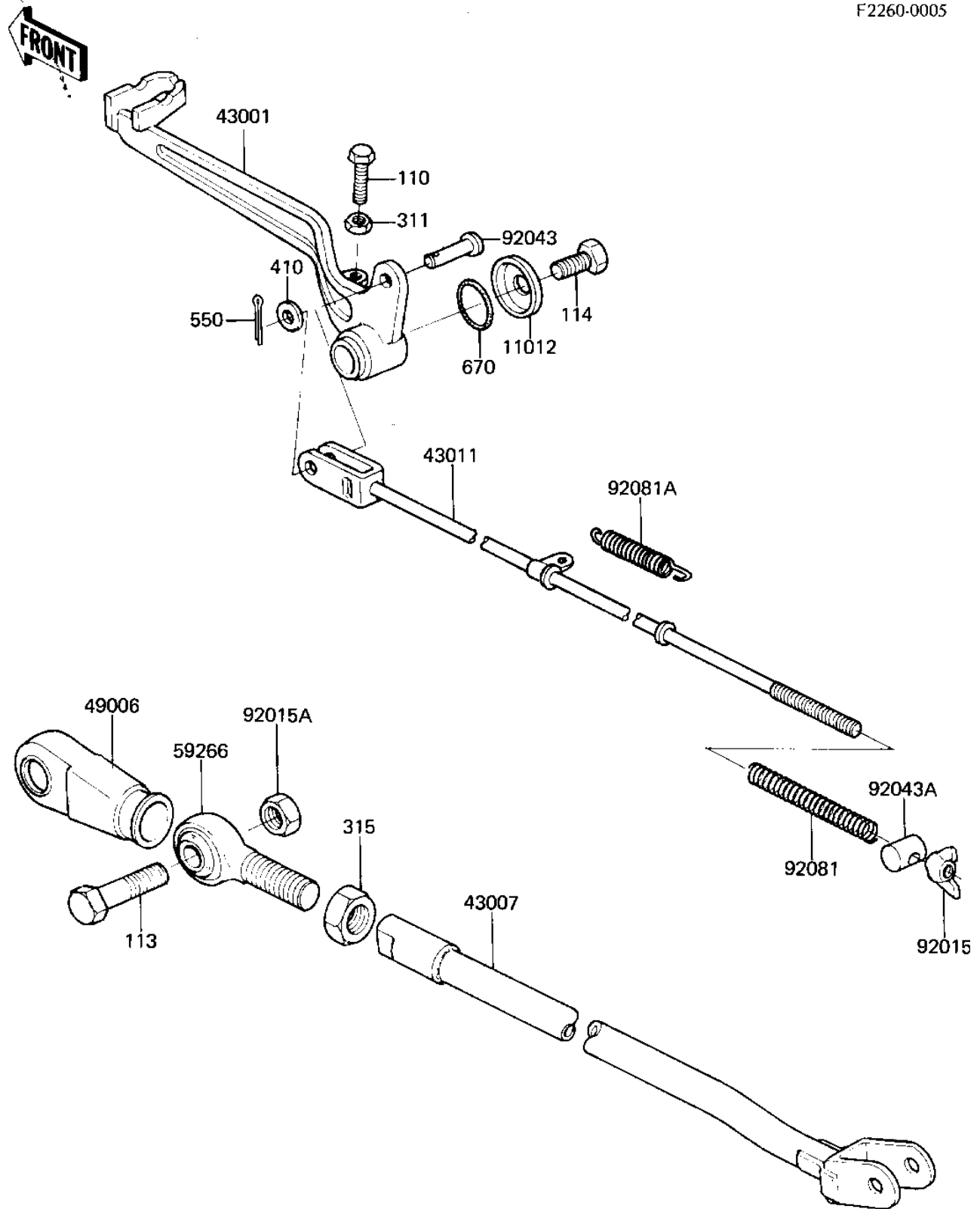


# 1981 KX125 PARTS DIAGRAM

BRAKE PEDAL/TORQUE LINK ('81 A7)

F2260-0005



# 1981 KX125 PARTS LIST

## BRAKE PEDAL/TORQUE LINK ('81 A7)

ITEM NAME	PART NUMBER	QUANTITY
CAP,BRAKE PEDAL FITT (Ref # 11012)	11012-1116	1
PEDAL,BRAKE (Ref # 43001)	43001-1043	1
TORQUE LINK,RR BRAKE (Ref # 43007)	43007-1018	1
ROD,BRAKE (Ref # 43011)	43011-1019	1
BOOT,BALL JOINT (Ref # 49006)	49006-1035	1
JOINT,BALL,TORQUE RNK (Ref # 59266)	59266-1003	1
NUT,WING,6M/M (Ref # 92015)	92015-4004	1
NUT-LOCK,12MM (Ref # 92015A)	92019-009	1
PIN-BRAKE ROD FITTING (Ref # 92043)	92043-064	1
PIN,BRAKE (Ref # 92043A)	92043-1024	1
SPRING,BRAKE ROD (Ref # 92081)	43012-001	1
SPRING RETURN (Ref # 92081A)	92081-1059	1
BOLT-UPSET (Ref # 110)	112G0625	1
BOLT-HEX HEAD,12X36 (Ref # 113)	113B1236A	1
BOLT SMALL (Ref # 114)	114G0812	1
NUT 6MM (Ref # 311)	311B0600	1
NUT-HEX-FINE,12MM (Ref # 315)	315B1200	1
WASHER PLAIN 6MM (Ref # 410)	410B0600	1
PIN COTTER 2.0X15 (Ref # 550)	550D2015	1
"O" RING,18MM (Ref # 670)	670B2018	1