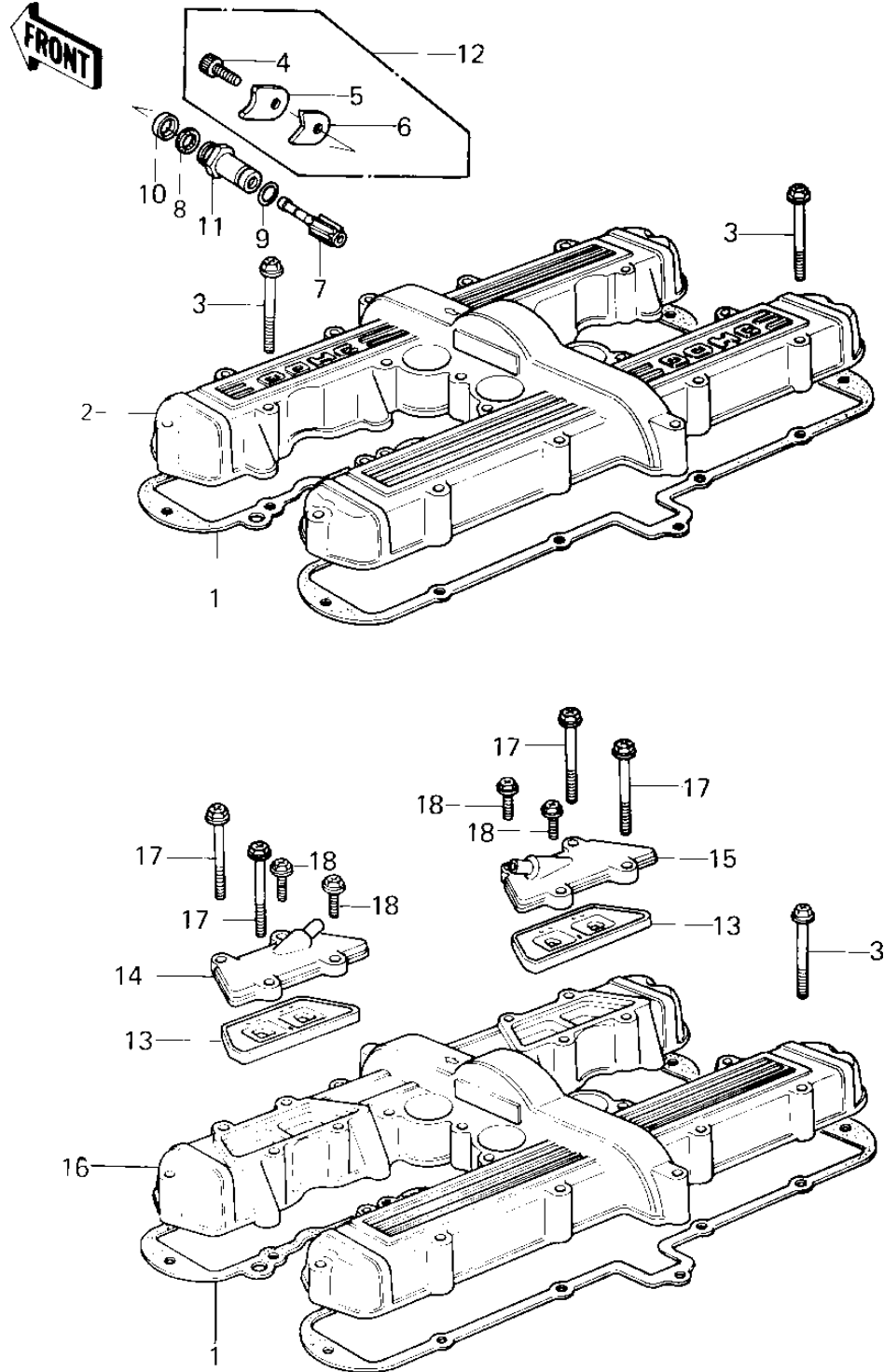


1980 LTD PARTS DIAGRAM

CYLINDER HEAD COVER ('80 H1)



1980 LTD PARTS LIST

CYLINDER HEAD COVER ('80 H1)

ITEM NAME	PART NUMBER	QUANTITY
GASKET,CYLINDER HEAD (Ref # 1)	11009-1237	1
GASKET,CYLINDER HEAD (Ref # 1)	11009-1237	1
BOLT,HEX HEAD,6X45 (Ref # 3)	92001-165	20
BOLT,6X14 (Ref # 4)	120P0614	1
HOLDER,TACHOMETER2.3T (Ref # 5)	13091-1008	1
HOLDER,TACHOMETR,3.2T (Ref # 6)	13091-1009	1
GEAR,TACHOMETER,10T (Ref # 7)	13223-011	1
OIL SEAL (Ref # 8)	92050-075	1
RING-O,10MM (Ref # 9)	92055-1149	1
GASKET,TACHOMETER GER (Ref # 10)	92065-103	1
GUIDE,TACHOMETER GEAR (Ref # 11)	92087-010	1
HOLDER SET,TACHOMETER (Ref # 12)	13091-5001	1
VALVE ASSY REED (Ref # 13)	12021-1003	2
CAP ASSY,L.H,REED VLV (Ref # 14)	14075-5002	1
CAP ASSY,R.H,REED VLV (Ref # 15)	14075-5001	1
COVER,CYL HEAD BARREL (Ref # 16)	14025-1215	1
BOLT,HEX HEAD,6X65 (Ref # 17)	92001-1102	4
BOLT,FLANGED,6X22 (Ref # 18)	92001-1352	4