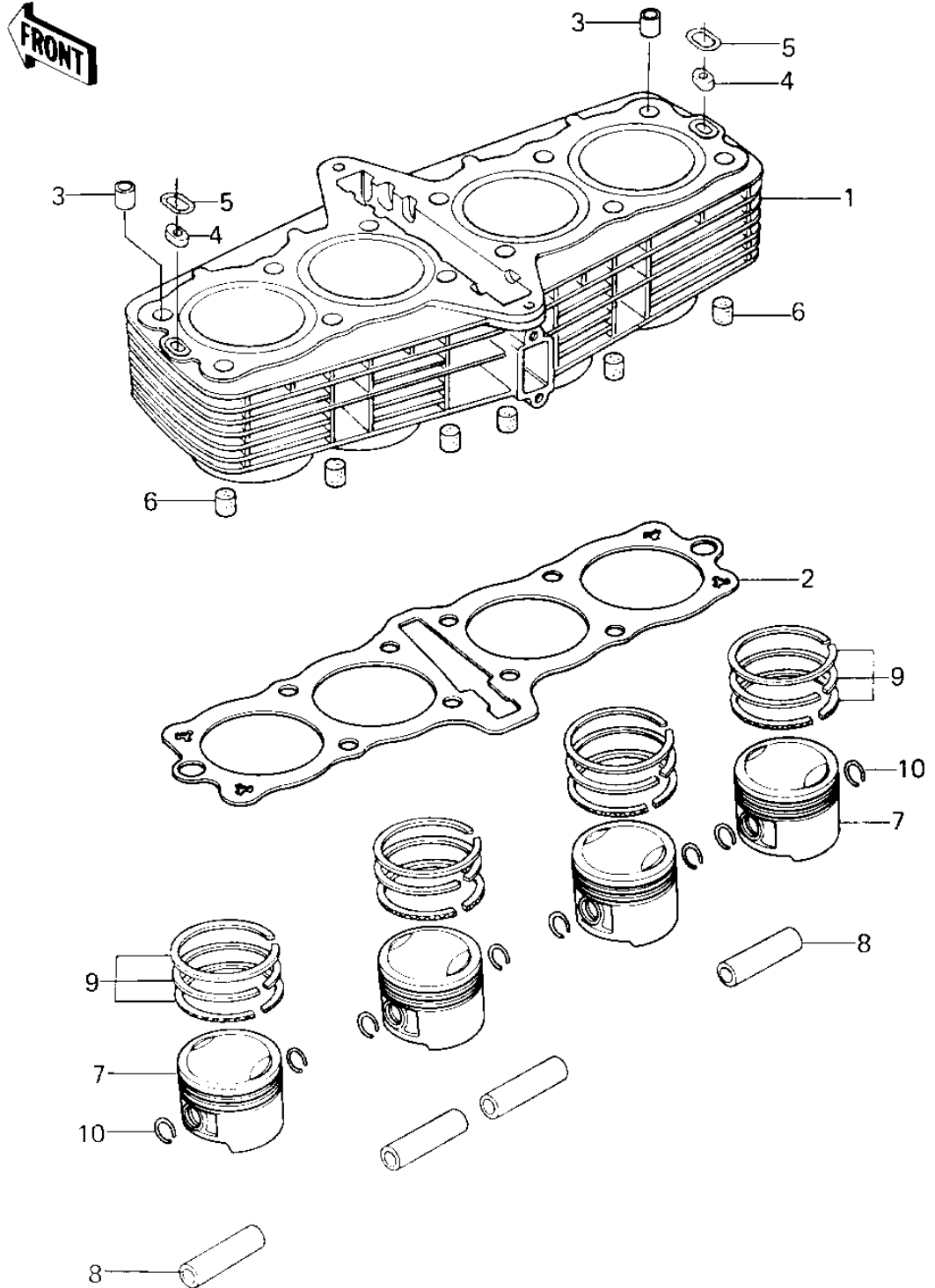


# 1980 LTD PARTS DIAGRAM

CYLINDER/PISTONS ('80 H1)



# 1980 LTD PARTS LIST

## CYLINDER/PISTONS ('80 H1)

ITEM NAME	PART NUMBER	QUANTITY
CYLINDER, (Ref # 1)	11005-1054	1
GASKET,CYLINDER BASE (Ref # 2)	11060-1144	1
PIN,11X14X12.3 (Ref # 3)	92043-1266	2
PIN,OIL LINE (Ref # 4)	92043-1210	2
RING-O (Ref # 5)	92055-1147	2
PLUG,DAMPER (Ref # 6)	92066-1016	6
PISTON,STD (Ref # 7)	13001-1027	4
PISTON-ENGINE,STD (Ref # 7)	13001-1059	4
PISTON,0.020" O.S. (Ref # 7)	13029-1021	(4
PISTON,0.020" O.S. (Ref # 7)	13029-1021	(4
PISTON,0.040" O.S. (Ref # 7)	13027-1022	(4
PISTON,0.040" O.S. (Ref # 7)	13027-1022	(4
PIN-PISTON (Ref # 8)	13002-1001	4
RING SET,PISTON STD (Ref # 9)	13008-5031	4
RING SET,PISTON 0.020 (Ref # 9)	13025-5014	(4
RING SET,PISTON 0.020 (Ref # 9)	13025-5014	(4
CIRCLIP PISTON PIN (Ref # 10)	92036-005	8