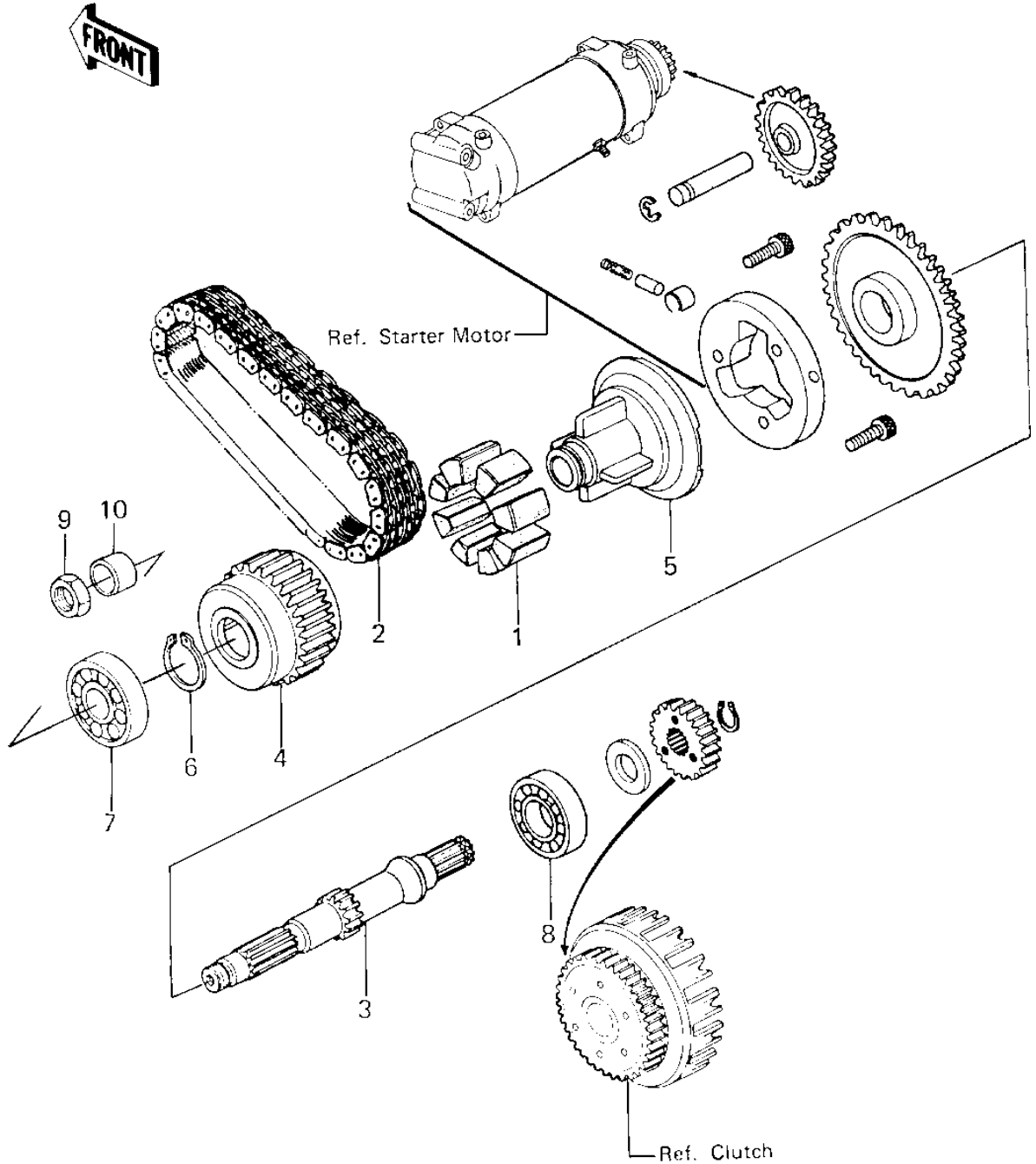


1980 LTD PARTS DIAGRAM

SECONDARY SHAFT ('80 H1)



1980 LTD PARTS LIST

SECONDARY SHAFT ('80 H1)

ITEM NAME	PART NUMBER	QUANTITY
DAMPER RUBBER (Ref # 1)	92075-1227	8
CHAIN,PRIMARY 52L (Ref # 2)	13122-007	1
SHAFT,SECONDARY (Ref # 3)	13127-1019	1
COUPLING,OUTER (Ref # 4)	13252-001	1
COUPLING,INNER (Ref # 5)	13253-001	1
CIRCLIP 28MM (Ref # 6)	480J2800	1
BEARING BALL #6205 (Ref # 7)	601B6205	1
BEARING BALL #6305 (Ref # 8)	601B6305	1
NUT 18MM (Ref # 9)	92015-019	1
BUSHING,SECONDARY (Ref # 10)	92028-1037	1