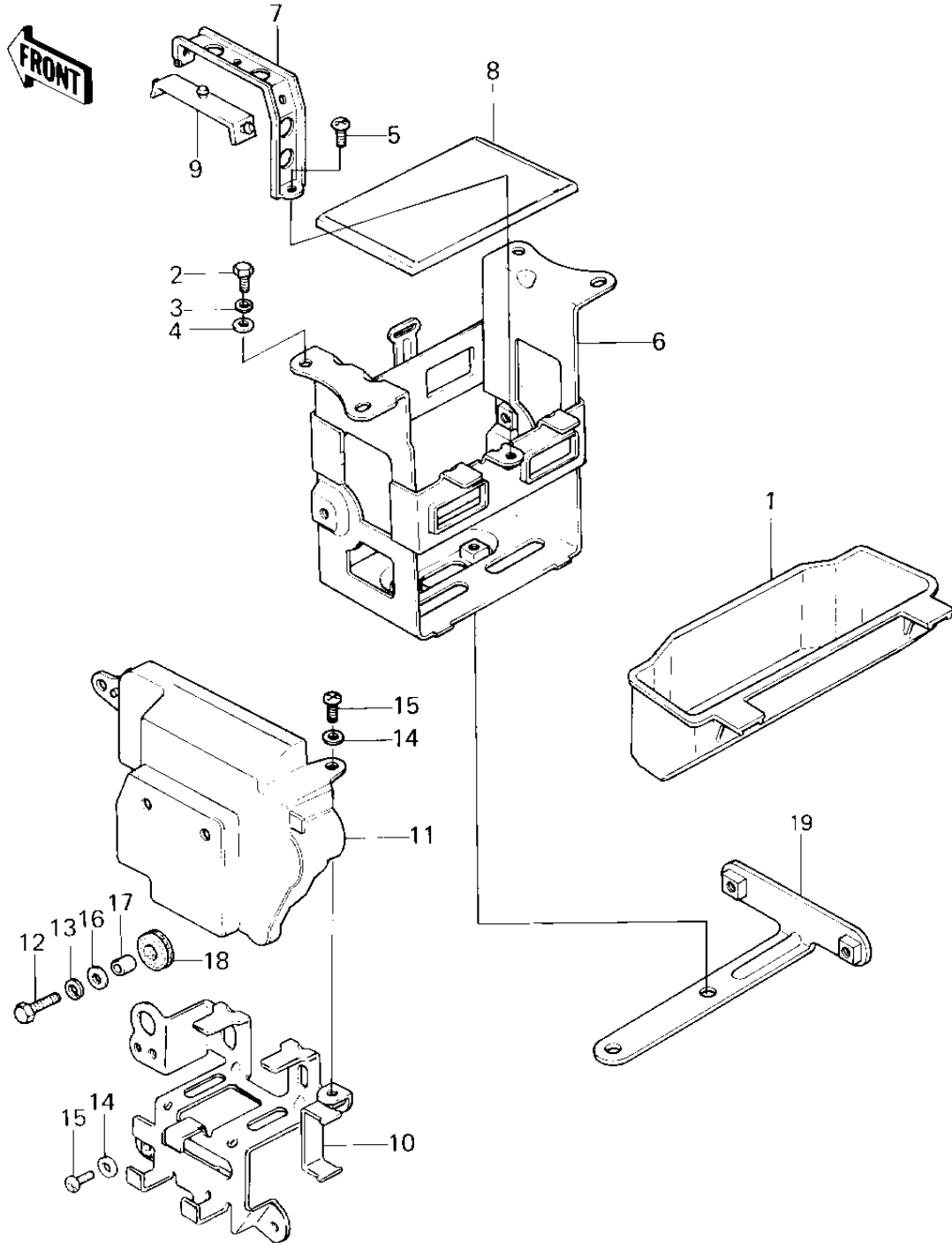


# 1980 LTD PARTS DIAGRAM

BATTERY CASE/TOOL CASE ('80 H1)



# 1980 LTD PARTS LIST

## BATTERY CASE/TOOL CASE ('80 H1)

ITEM NAME	PART NUMBER	QUANTITY
CASE,TOOL (Ref # 1)	32098-1011	1
BOLT-UPSET,6X12 (Ref # 2)	112G0612	4
WASHER SPRING 6MM (Ref # 3)	461F0600	4
WASHER PLAIN 6MM (Ref # 4)	410B0600	4
SCREW PAN HEAD 6X12 (Ref # 5)	220B0612	1
CASE,BATTERY (Ref # 6)	32097-1026	1
BAND,BATTERY (Ref # 7)	92072-1019	1
DAMPER,BATTERY BASE (Ref # 8)	92075-1076	1
DAMPER,BATTERY BAND (Ref # 9)	92075-1113	1
BRACKET,ELECTRO BASE (Ref # 10)	11034-1669	1
COVER,ELECTRO BASE (Ref # 11)	14025-1191	1
BOLT-UPSET (Ref # 12)	112G0625	2
WASHER SPRING 6MM (Ref # 13)	461F0600	2
WASHER PLAIN (Ref # 14)	92022-024	2
SCREW PAN HEAD 6X12 (Ref # 15)	220B0612	2
WASHER,PLAIN,7MM (Ref # 16)	92022-228	2
COLLAR-CLAMP (Ref # 17)	92027-291	2
DAMPER (Ref # 18)	92075-317	2
BRACKET-A,RESERVE LIG (Ref # 19)	11036-1245	1