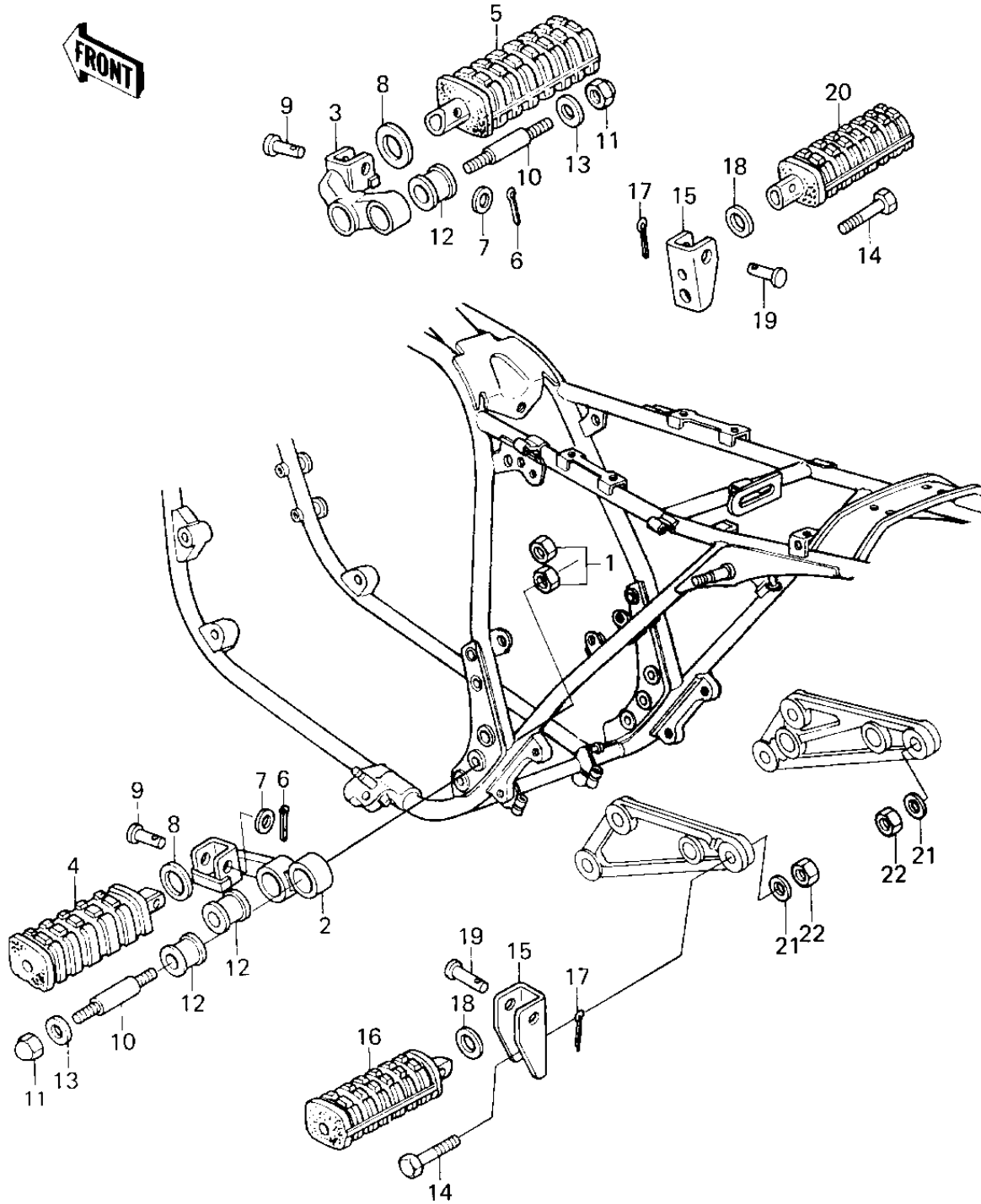


1980 LTD PARTS DIAGRAM

FOOTRESTS ('80 H1)



1980 LTD PARTS LIST

FOOTRESTS ('80 H1)

ITEM NAME	PART NUMBER	QUANTITY
NUT 10MM (Ref # 1)	315B1000	4
BRACKET,FTRST STEP LH (Ref # 2)	34003-1063	1
BRACKET,FTRST STEP RH (Ref # 3)	34003-1064	1
STEP-ASSY,FR,RH (Ref # 4)	34028-1018	1
STEP-ASSY,FR,RH (Ref # 5)	34028-1018	1
PIN COTTER 2.5X16 (Ref # 6)	550D2516	2
WASHER,PLAIN (Ref # 7)	92022-1028	2
WASHER,PLAIN (Ref # 8)	92022-250	2
PIN,FOOTREST BAR FIT (Ref # 9)	92043-115	2
STUD,FOOTREST BAR FIT (Ref # 10)	92004-048	4
NUT,CAP AND LOCK,8MM (Ref # 11)	92019-013	4
DAMPER RUBBER,FOOTRES (Ref # 12)	92075-293	4
CAP,FOOTRESTBAR (Ref # 13)	92102-010	4
BOLT,HEX HEAD 10X35 (Ref # 14)	92001-1252	2
HOLDER,REAR FOOTREST (Ref # 15)	34003-1025	2
STEP,FOOTREST,REAR,LH (Ref # 16)	34028-1009	1
PIN,COTTER,2.0X12 (Ref # 17)	550D2012	2
WASHER-PLAIN (Ref # 18)	92022-181	2
PIN (Ref # 19)	92043-1464	2
STEP,FOOTREST,REAR,RH (Ref # 20)	34028-1010	1
WASHER PLAIN 10MM (Ref # 21)	411B1000	2
NUT,LOCK,10MM (Ref # 22)	92019-021	2