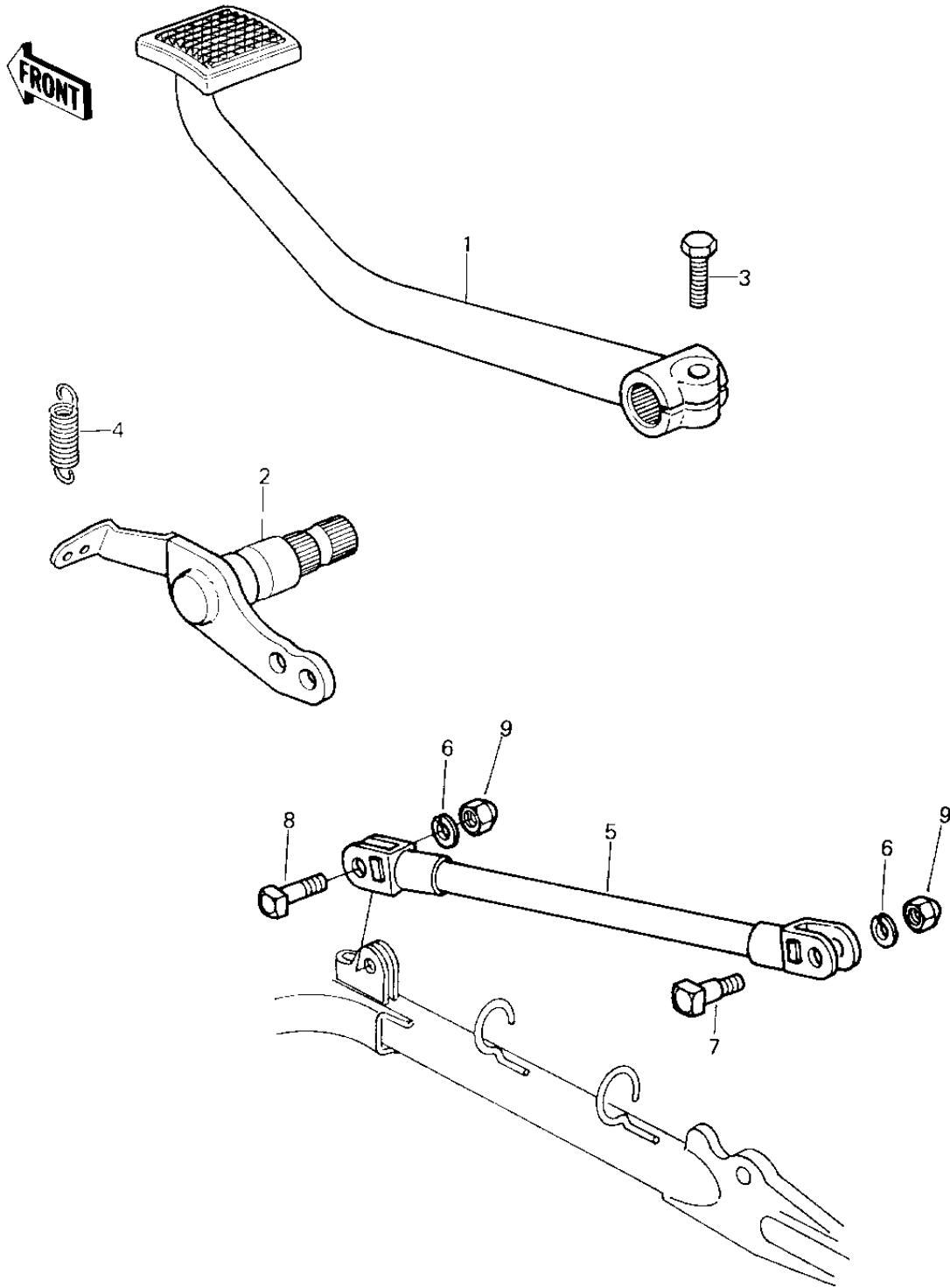


# 1980 LTD PARTS DIAGRAM

## BRAKE PEDAL/TORQUE LINK ('80 H1)



## 1980 LTD PARTS LIST

### BRAKE PEDAL/TORQUE LINK ('80 H1)

ITEM NAME	PART NUMBER	QUANTITY
PEDAL,BRAKE (Ref # 1)	43001-1045	1
SHAFT,BRAKE PEDAL (Ref # 2)	43004-1016	1
SHAFT,BRAKE PEDAL (Ref # 2)	43004-1016	1
BOLT-FLANGED,8X25 (Ref # 3)	130G0825	1
SPRING,BRAKE PEDAL (Ref # 4)	92081-1147	1
TORQUE ROD,REAR BRAKE (Ref # 5)	43007-1015	1
WASHER SPRING 10MM (Ref # 6)	461F1000	2
BOLT,SQUARE HEAD (Ref # 7)	92001-1307	1
BOLT,TORQUE ROD FRONT (Ref # 8)	92001-1208	1
NUT,LOCK,10MM (Ref # 9)	92019-021	2