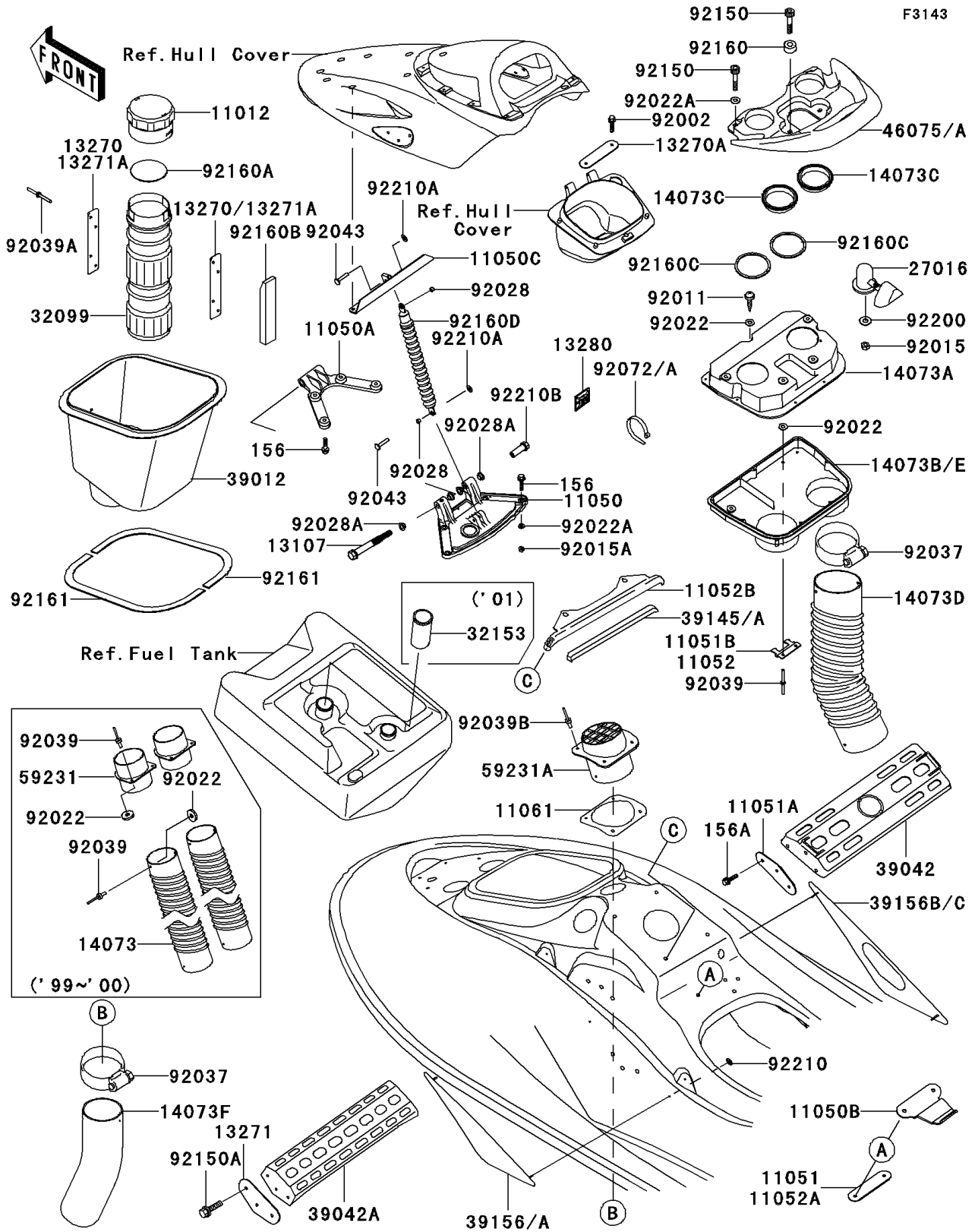


1999 Ultra 150 PARTS DIAGRAM

Hull Fittings



1999 Ultra 150 PARTS LIST

Hull Fittings

| ITEM NAME | PART NUMBER | QUANTITY |
|---------------------------------------|---------------|----------|
| CAP,FIRE EXTINGUISHER (Ref # 11012) | 11012-3766 | 1 |
| BRACKET (Ref # 11050) | 11050-3743 | 1 |
| BRACKET (Ref # 11050A) | 11050-3744 | 1 |
| BRACKET (Ref # 11050B) | 11050-3775 | 1 |
| BRACKET (Ref # 11050C) | 11050-3778 | 1 |
| BRACKET (Ref # 11051) | 11051-3754 | 1 |
| BRACKET (Ref # 11051A) | 11051-3760 | 2 |
| SHAFT (Ref # 13107) | 13107-3767 | 1 |
| PLATE,FIRE EXTINGUISHER (Ref # 13270) | 13270-3729 | 2 |
| PLATE (Ref # 13270A) | 13270-3909 | 1 |
| PLATE,CROSSMEMBER (Ref # 13271) | 13271-3743 | 2 |
| HOLDER (Ref # 13280) | 13280-3706 | 2 |
| DUCT,FR (Ref # 14073) | 14073-3764 | 2 |
| DUCT,RR,UPP (Ref # 14073A) | 14073-3767 | 1 |
| DUCT,RR,LWR (Ref # 14073B) | 14073-3768 | 1 |
| DUCT (Ref # 14073C) | 14073-3769 | 2 |
| DUCT (Ref # 14073D) | 14073-3771 | 1 |
| LOCK-ASSY,SEAT,F.BLACK (Ref # 27016) | 27016-3744-6Z | 1 |
| CASE,FIRE EXTINGUISHER (Ref # 32099) | 32099-3769 | 1 |
| CASE-STORAGE (Ref # 39012) | 39012-3721 | 1 |
| CROSSMEMBER,FR (Ref # 39042) | 39042-3707 | 1 |
| CROSSMEMBER,RR (Ref # 39042A) | 39042-3708 | 1 |
| TRIM-SEAL,L=330 (Ref # 39145) | 39145-3778 | 1 |
| PAD,LH,R.BLACK (Ref # 39156) | 39156-3823-6S | 1 |
| PAD,RH,R.BLACK (Ref # 39156B) | 39156-3825-6S | 1 |
| GRIP,TAIL,R.BLACK (Ref # 46075) | 46075-3746-6S | 1 |
| FILLER (Ref # 59231) | 59231-3722 | 2 |
| BOLT-WP,6X20 (Ref # 156) | 156R0620 | 8 |
| BOLT-WP,6X25 (Ref # 156A) | 156R0625 | 6 |

1999 Ultra 150 PARTS LIST

Hull Fittings

| ITEM NAME | PART NUMBER | QUANTITY |
|----------------------------------|-------------|----------|
| BOLT,6X25 (Ref # 92002) | 92002-3714 | 2 |
| SCREW (Ref # 92011) | 92011-562 | 7 |
| NUT,FLANGED,8MM (Ref # 92015) | 92015-3709 | 1 |
| NUT,6MM (Ref # 92015A) | 92015-3767 | 4 |
| WASHER,5X16X1.5 (Ref # 92022) | 92022-3041 | 17 |
| WASHER,6.5X20X1.5 (Ref # 92022A) | 92022-3710 | 6 |
| BUSHING (Ref # 92028) | 92028-3765 | 2 |
| BUSHING (Ref # 92028A) | 92028-3770 | 4 |
| CLAMP,MAX120.7MM (Ref # 92037) | 92037-3733 | 1 |
| RIVET (Ref # 92039) | 92039-3747 | 10 |
| RIVET (Ref # 92039A) | 92039-3755 | 4 |
| PIN,6X33 (Ref # 92043) | 92043-3748 | 2 |
| BAND,L=292.1 (Ref # 92072) | 92072-3509 | 2 |
| BOLT,SOCKET,6X30 (Ref # 92150) | 92150-3822 | 4 |
| BOLT,8X30 (Ref # 92150A) | 92150-3828 | 6 |
| DAMPER (Ref # 92160) | 92160-3738 | 2 |
| DAMPER (Ref # 92160A) | 92160-3814 | 1 |
| DAMPER (Ref # 92160B) | 92160-3821 | 1 |
| DAMPER (Ref # 92160C) | 92160-3910 | 2 |
| DAMPER (Ref # 92160D) | 92160-3919 | 1 |
| DAMPER (Ref # 92161) | 92161-3714 | 2 |
| WASHER,8.5X25X1.5 (Ref # 92200) | 92200-3717 | 1 |
| NUT,SPEED,3MM (Ref # 92210) | 92210-3734 | 4 |
| NUT,SPEED,6MM (Ref # 92210A) | 92210-3739 | 2 |
| NUT,8MM (Ref # 92210B) | 92210-3748 | 1 |