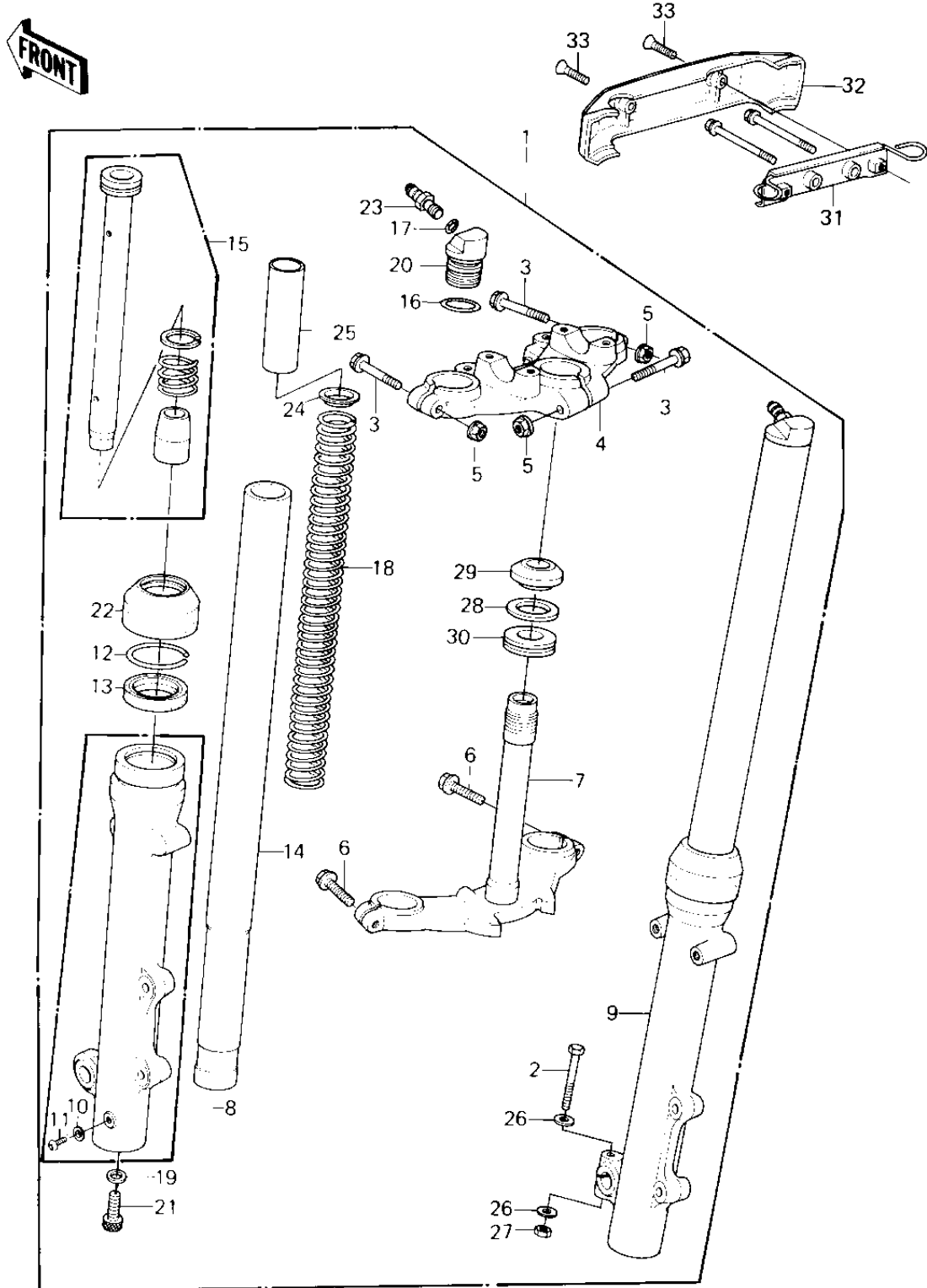


1980 LTD PARTS DIAGRAM

FRONT FORK ('80 H1)



1980 LTD PARTS LIST

FRONT FORK ('80 H1)

ITEM NAME	PART NUMBER	QUANTITY
FORK-FRONT (Ref # 1)	44001-1385	1
BOLT,HEX HEAD,8X55 (Ref # 2)	114G0855	1
BOLT,FLANGED,8X55 (Ref # 3)	130G0855	3
HEAD,STEERING STEM (Ref # 4)	44039-1032	1
NUT-8MM (Ref # 5)	92015-1022	3
BOLT,FLANGED,10X40 (Ref # 6)	131G1040	2
STEM,STEERING (Ref # 7)	44037-1050	1
TUBE,FORK OUTER,L.H. (Ref # 8)	39093-1027	1
TUBE,FORK OUTER,R.H. (Ref # 9)	39093-1028	1
GASKET FORK DRAIN PLG (Ref # 10)	44045-002	2
SCREW PAN HEAD 4X8 (Ref # 11)	220B0408	2
RING-SNAP,FORK OIL (Ref # 12)	92033-1100	2
SEAL-OIL,FRONT FORK (Ref # 13)	92049-1101	2
SEAL-OIL,FRONT FORK (Ref # 13)	92049-1101	AL
TUBE,FORK INNER (Ref # 14)	39093-1029	2
CYLINDER-FORK (Ref # 15)	44023-1007	2
"O" RING,FORK TOP (Ref # 16)	92055-1012	2
"O" RING,AIR VALVE (Ref # 17)	92055-1018	2
SPRING,FORK (Ref # 18)	44026-1066	2
GASKET,FORK CYLINDER (Ref # 19)	44045-057	2
CAP,FORK TOP (Ref # 20)	44029-1005	2
BOLT-FORK CYLINDER (Ref # 21)	44041-040	2
DUST SHIELD,FORK (Ref # 22)	92093-1037	2
VALVE ASSY,AIR (Ref # 23)	16126-1003	2
GUIDE,FORK SPRING (Ref # 24)	44028-033	2
SPACER,FORK SPRING (Ref # 25)	92026-1012	2
WASHER PLAIN 8MM (Ref # 26)	410B0800	2
NUT,LOCK,8MM (Ref # 27)	92015-1124	1
WASHER,PLAIN (Ref # 28)	92022-231	1

1980 LTD PARTS LIST

FRONT FORK ('80 H1)

ITEM NAME	PART NUMBER	QUANTITY
CONE,STEERING STEM (Ref # 29)	92047-012	1
OIL SEAL,STEERING STM (Ref # 30)	92056-003	1
BRACKET,FR FORK COVER (Ref # 31)	11034-1765	1
COVER,FORK (Ref # 32)	44033-1053	1
SCREW-CSK-RD-CROS (Ref # 33)	222C0518	2