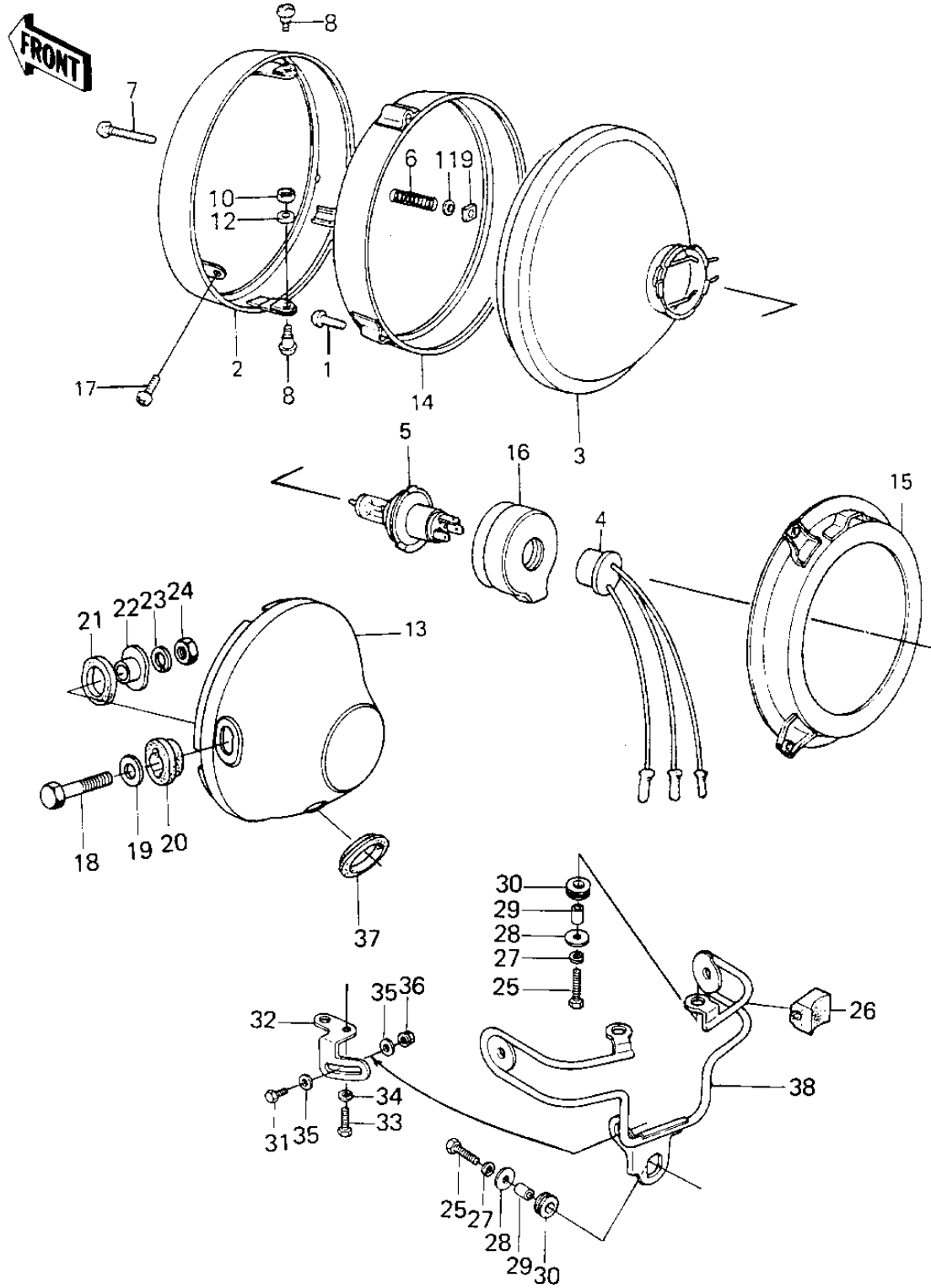


1980 LTD PARTS DIAGRAM

HEADLIGHT ('80 H1)



1980 LTD PARTS LIST

HEADLIGHT ('80 H1)

ITEM NAME	PART NUMBER	QUANTITY
SCREW PAN HEAD 3X12 (Ref # 1)	220B0312	2
RIM,HEAD LAMP (Ref # 2)	23006-038	1
LENS UNIT,HEAD LAMP (Ref # 3)	23007-1009	1
SOCKET ASSY,HEAD LAMP (Ref # 4)	23008-037	1
BULB,12V-60/55W (Ref # 5)	92069-1002	1
SPRING FOCUS ADJUST (Ref # 6)	23014-005	1
SCREW FORCUS ADJUST (Ref # 7)	23019-021	1
SCREW-PAN HEAD,5X12 (Ref # 8)	23019-023	2
NUT,4MM (Ref # 9)	23020-018	1
NUT,HEAD LAMP RIM FIT (Ref # 10)	23020-023	2
WASHER (Ref # 11)	23021-004	1
WASHER-PLAIN,5MM (Ref # 12)	23021-012	2
BODY-COMP-HEAD LAMP (Ref # 13)	23005-1016	1
RING,HEAD LAMP MOUNT (Ref # 14)	23072-001	1
RING,HEAD LAMP MOUNT (Ref # 15)	23074-001	1
DUST COVER (Ref # 16)	49016-1016	1
SCREW,PAN HEAD,5X14 (Ref # 17)	23019-022	2
BOLT,10MM (Ref # 18)	92007-024	2
WASHER,HEAD LAMP (Ref # 19)	92022-1054	2
DAMPER RUBBER (Ref # 20)	23066-022	2
DAMPER RUBBER (Ref # 21)	23066-021	2
COLLAR,HEAD LIGHT (Ref # 22)	23052-011	2
WASHER SPRING 10MM (Ref # 23)	461F1000	2
NUT 10MM (Ref # 24)	315B1000	2
BOLT-UPSET (Ref # 25)	112G0625	3
DAMPER RUBBER,LAMP (Ref # 26)	92075-1257	2
WASHER SPRING 6MM (Ref # 27)	461F0600	3
WASHER 6.5X20X1.6T (Ref # 28)	92022-125	3
COLLAR (Ref # 29)	92027-241	3

1980 LTD PARTS LIST

HEADLIGHT ('80 H1)

ITEM NAME	PART NUMBER	QUANTITY
DAMPER RUBBER,RR FENR (Ref # 30)	92075-209	3
BOLT-UPSET,6X12 (Ref # 31)	112G0612	1
BRACKET (Ref # 32)	11034-1676	1
BOLT-SMALL-UPSET,8X16 (Ref # 33)	115G0816	1
WASHER SPRING 8MM (Ref # 34)	461F0800	1
WASHER PLAIN 6MM (Ref # 35)	411B0600	2
NUT,LOCK 6MM (Ref # 36)	92017-014	1
GROMMET (Ref # 37)	92071-1008	1
BRACKET,HEAD LAMP (Ref # 38)	11034-1751	1