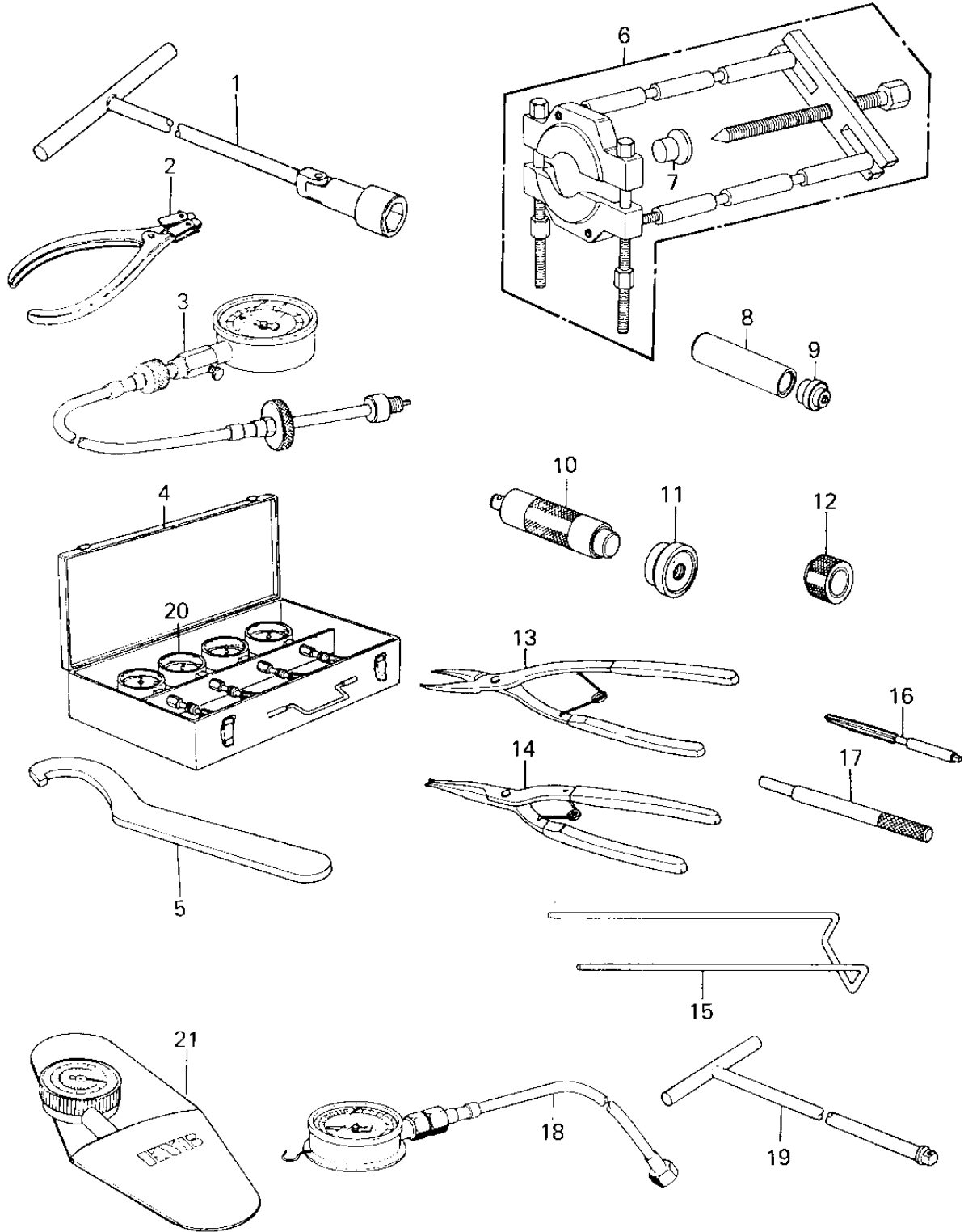


# 1980 LTD PARTS DIAGRAM

## SPECIAL SERVICE TOOLS "A" ('80 H1)



# 1980 LTD PARTS LIST

## SPECIAL SERVICE TOOLS "A" ('80 H1)

ITEM NAME	PART NUMBER	QUANTITY
WRENCH,SPARK PLUG (Canada) (Ref # 1)	57001-110	1
PLIERS-PISTON RING (Ref # 2)	57001-115	1
*** N.L.A.*** (Canada) (Ref # 3)	57001-123	1
*** N.L.A.*** (Canada) (Ref # 4)	57001-127	1
57001-1100 (Canada) (Ref # 5)	57001-134	1
PULLER,STEM BEARING (Ref # 6)	57001-135	1
ADAPTER,STEM BEARING (Ref # 7)	57001-136	1
DRIVER,STEM BEARING (Ref # 8)	57001-137	1
57001-1129 (Canada) (Ref # 9)	57001-138	1
*** N.L.A.*** (Canada) (Ref # 10)	57001-139	1
57001-1129 (Canada) (Ref # 11)	57001-140	1
*** N.L.A.*** (Canada) (Ref # 12)	57001-141	1
PLIERS,CIRCLIP,INSIDE (Ref # 13)	57001-143	1
PLIERS,CIRCLIP,OUTSID (Ref # 14)	57001-144	1
57001-1336 (Canada) (Ref # 15)	57001-149	1
REAMER,VALVE GUIDE (Ref # 16)	57001-162	1
ARBOR,VALVE GUIDE (Ref # 17)	57001-163	1
GAUGE,OIL PRESSURE (Ref # 18)	57001-164	1
HANDLE,FORK CLY HOLDR (Ref # 19)	57001-183	1
GAUGE,AIR (Ref # 20)	52005-1003	1
GAUGE,AIR (Ref # 21)	52005-1003	1