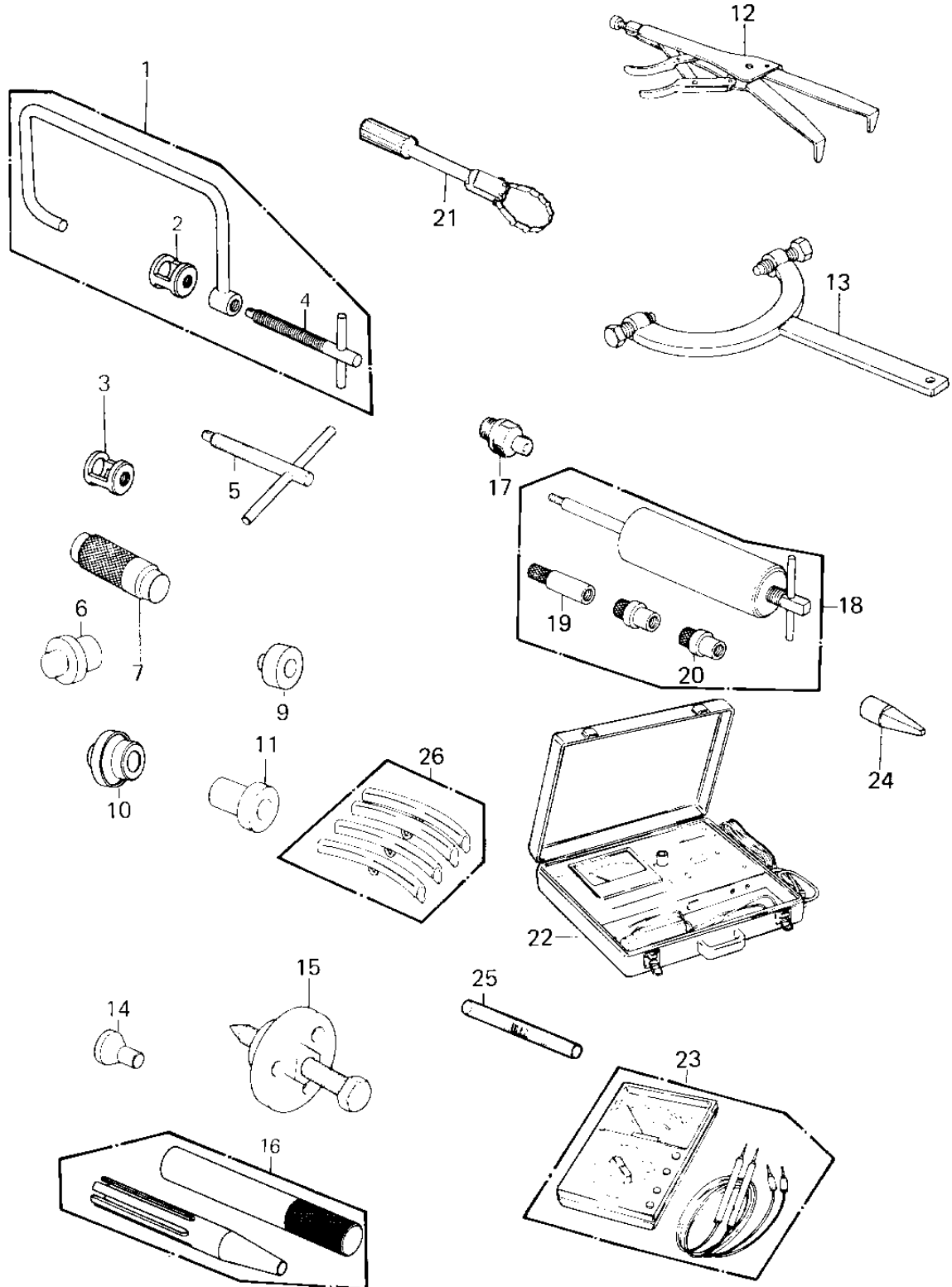


1980 LTD PARTS DIAGRAM

SPECIAL SERVICE TOOLS "B" ('80 H1)



1980 LTD PARTS LIST

SPECIAL SERVICE TOOLS "B" ('80 H1)

ITEM NAME	PART NUMBER	QUANTITY
COMPRESSOR,VLV SPRING (Ref # 1)	57001-241	1
57001-246 (Canada) (Ref # 2)	57001-242	1
ADAPTER,VLV COMPRESR (Ref # 3)	57001-243	1
BOLT,VALVE COMPRESER (Ref # 4)	57001-244	1
57001-1216 (Canada) (Ref # 5)	57001-254	1
GUIDE,SHFT SFT OIL SE (Ref # 6)	57001-266	1
57001-1129 (Canada) (Ref # 7)	57001-286	1
57001-1129 (Canada) (Ref # 8)	57001-289	1
57001-1129 (Canada) (Ref # 9)	57001-290	1
*** N.L.A.*** (Canada) (Ref # 10)	57001-296	1
*** N.L.A.*** (Canada) (Ref # 11)	57001-297	1
57001-1243 (Canada) (Ref # 12)	57001-305	1
57001-1313 (Canada) (Ref # 13)	57001-308	1
ADAPTER,2ND GEAR PULR (Ref # 14)	57001-317	1
*** N.L.A.*** (Canada) (Ref # 15)	57001-319	1
*** N.L.A.*** (Canada) (Ref # 16)	57001-380	1
57001-1278 (Canada) (Ref # 17)	57001-403	1
PULLER-PISTON PIN (Ref # 18)	57001-910	1
ADAPTER A,PIN PULLER (Canada) (Ref # 19)	57001-912	1
ADAPTER C,PIN PULLER (Ref # 20)	57001-914	1
57001-1094 (Canada) (Ref # 21)	57001-921	1
*** N.L.A.*** (Canada) (Ref # 22)	57001-980	1
MULTIMETER (Ref # 23)	57001-983	1
ADAPTER,FORK CYL HLDR (Ref # 24)	57001-1011	1
GAUGE-FUEL LEVEL (Ref # 25)	57001-1017	1
PROTECTOR-BEAD (Ref # 26)	57001-1063	1