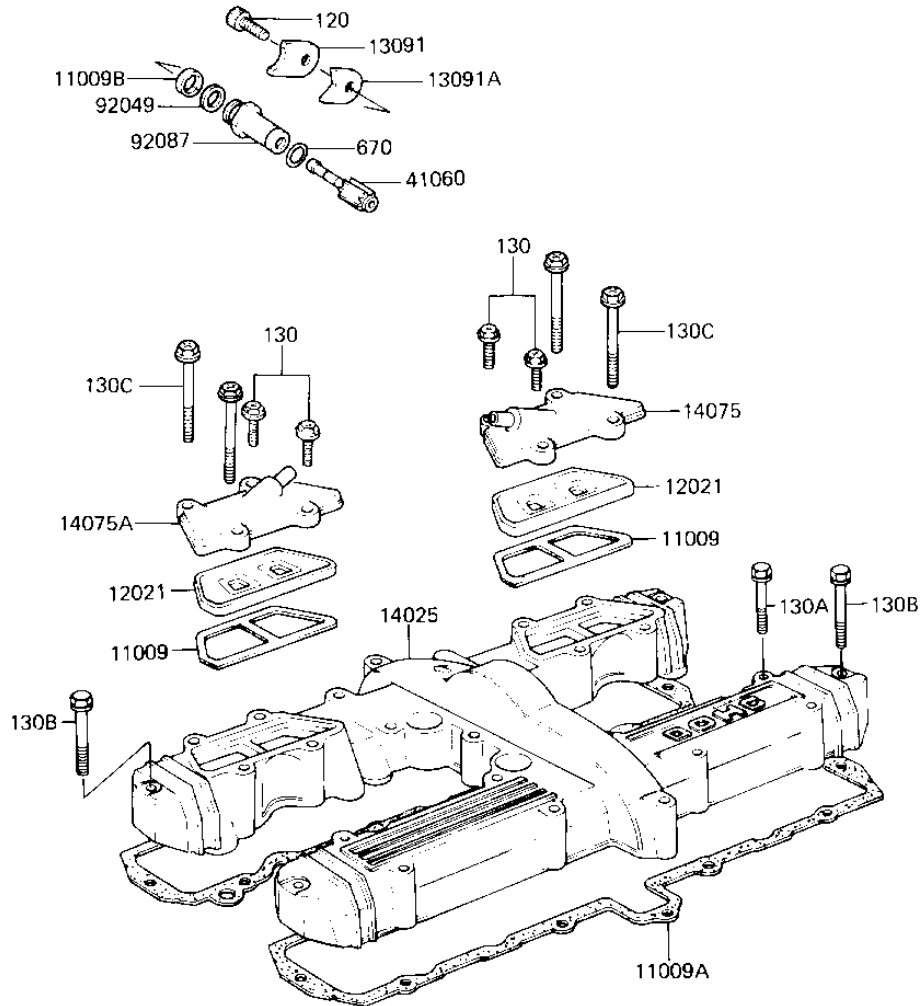


# 1983 LTD PARTS DIAGRAM

## CYLINDER HEAD COVER (KZ750-H4)



E1112-0045



# 1983 LTD PARTS LIST

## CYLINDER HEAD COVER (KZ750-H4)

ITEM NAME	PART NUMBER	QUANTITY
GASKET, REED VALVE (Ref # 11009)	11060-1066	2
GASKET, CYLINDER HEAD (Ref # 11009A)	11009-1274	1
GASKET, TACHOMETER GER (Ref # 11009B)	92065-103	1
VALVE-ASSY-REED (Ref # 12021)	12021-1008	2
HOLDER, TACHOMETER 2.3T (Ref # 13091)	13091-1008	1
HOLDER, TACHOMETR, 3.2T (Ref # 13091A)	13091-1009	1
COVER, CYLINDER HEAD (Ref # 14025)	14025-1552	1
CAP-ASSY, REED VALVE, R (Ref # 14075)	14075-5016	1
CAP-ASSY, REED VALVE, L (Ref # 14075A)	14075-5017	1
GEAR, TACHOMETER, 10T (Ref # 41060)	13223-011	1
OIL SEAL (Ref # 92049)	92050-075	1
GUIDE, TACHOMETER GEAR (Ref # 92087)	92087-010	1
BOLT, 6X14 (Ref # 120)	120P0614	1
BOLT, FLANGED, 6X20 (Ref # 130)	130G0620	4
BOLT, FLANGED, 6X40 (Ref # 130A)	130G0640	16
BOLT, FLANGED, 6X45 (Ref # 130B)	130G0645	4
BOLT, FLANGED, 6X65 (Ref # 130C)	130G0665	4
UNAVAILABLE IN PRICE BOOK (Ref # 670)	670F1510	1