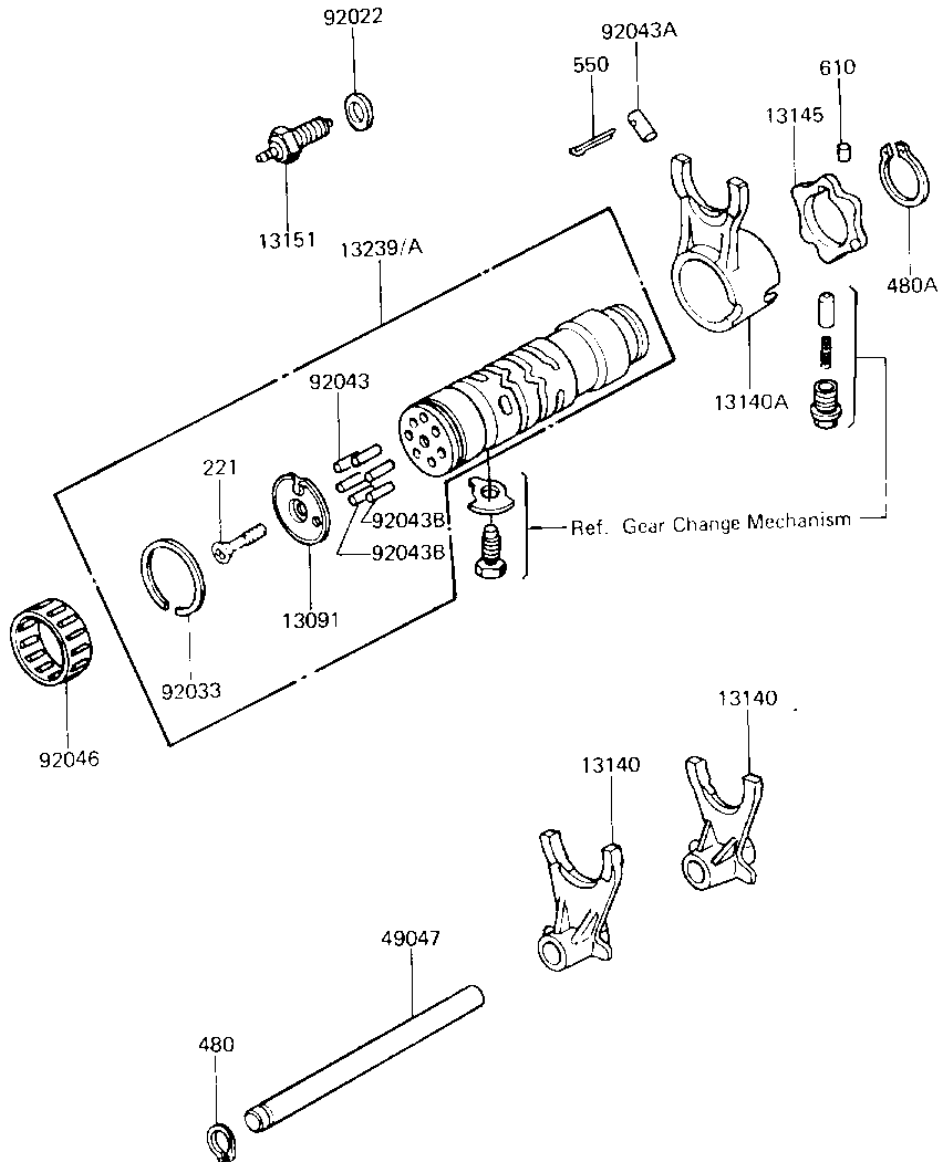


1983 LTD PARTS DIAGRAM

GEAR CHANGE DRUM & FORKS ('81-'83 H2/H3/



Ei 362-0054



1983 LTD PARTS LIST

GEAR CHANGE DRUM & FORKS ('81-'83 H2/H3/

ITEM NAME	PART NUMBER	QUANTITY
HOLDER,CHANGE DRUM PI (Ref # 13091)	13091-1104	1
SHIFT FORK,LOW,2&3RD (Ref # 131040)	13140-1008	2
SHIFT FORK,4TH & TOP (Ref # 13140A)	13140-1009	1
CAM-CHANGE DRUM (Ref # 13145)	13145-1058	1
SWITCH,NEUTRAL (Ref # 13151)	13151-1007	1
DRUM-ASSY-CHANGE (Ref # 13239A)	13239-1069	1
ROD-SHIFT (Ref # 49047)	49047-5003	1
GASKET CHECK VALVE (Ref # 92022)	92065-058	1
CIRCLIP,37MM (Ref # 92033)	92033-035	1
PIN GEAR CHANGE DRUM (Ref # 92043)	92042-014	1
DOWEL PIN,8X18 (Ref # 92043A)	92042-021	1
PIN,GEAR CHNGE DRUM (Ref # 92043B)	92042-030	5
BRG,NEDL,37BTM4312 (Ref # 92046)	92046-051	1
SCREW CNTSNK HD 6X20 (Ref # 221)	221B0620	1
CIRCLIP 12MM (Ref # 480)	480J1200	1
CIRCLIP,30MM (Ref # 480A)	480J3000	1
PIN COTTER 3.0X20 (Ref # 550)	550D3020	1
PIN-DOWEL,4X6 (Ref # 610)	610A0406	1