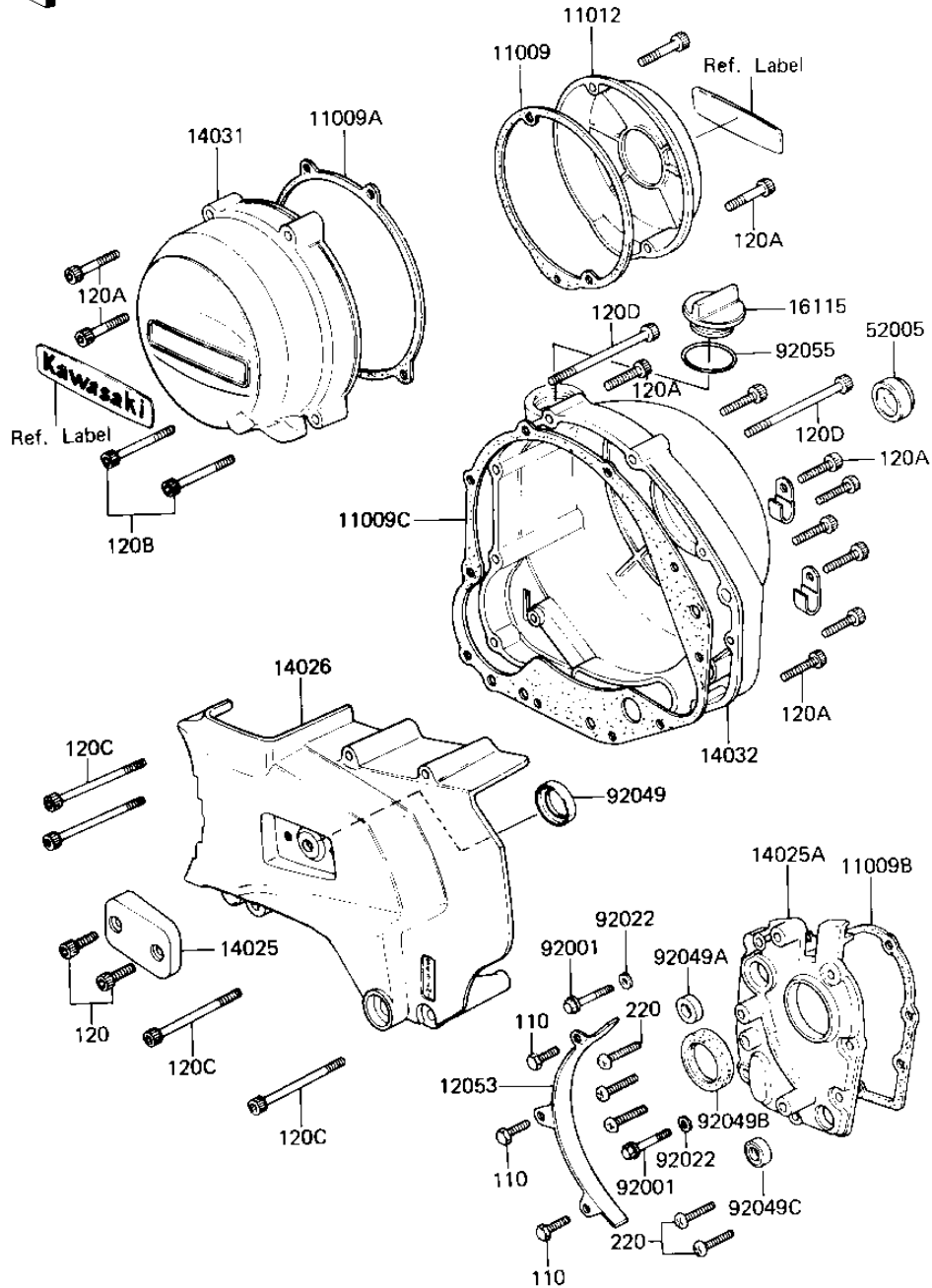


# 1983 LTD PARTS DIAGRAM

ENGINE COVERS (KZ750-H4)

E1431-0088



# 1983 LTD PARTS LIST

## ENGINE COVERS (KZ750-H4)

ITEM NAME	PART NUMBER	QUANTITY
GASKET,PULSING COIL C (Ref # 11009)	11060-1053	1
GASKET,GENERATOR COVE (Ref # 11009A)	11009-1987	1
GASKET,TRANSMISSION C (Ref # 11009B)	11060-1056	1
GASKET,R.H.ENG COVER (Ref # 11009C)	14046-035	1
CAP,PULSING COIL (Ref # 11012)	11012-1266	1
GUIDE,CHAIN (Ref # 12053)	12053-1006	1
COVER,CLUTCH ADJUSTIN (Ref # 14025)	14025-1249	1
COVER,MISSION (Ref # 14025A)	14025-1486	1
COVER-CHAIN (Ref # 14026)	14026-1074	1
COVER-GENERATOR (Ref # 14031)	14031-1102	1
COVER-CLUTCH (Ref # 14032)	14032-1091	1
PLUG,OIL FILLER (Ref # 16115)	16115-013	1
GAUGE,OIL LEVEL (Ref # 52005)	52005-1009	1
BOLT,HEX HEAD,6X35 (Ref # 92001)	92001-164	2
WASHER OIL PUMP BANJO (Ref # 92022)	92022-077	2
OIL SEAL,CLUTCH RELES (Ref # 92049)	92049-1003	1
OIL SEAL,SD-8187 (Ref # 92049A)	92049-1017	1
OIL SEAL SC325210 (Ref # 92049B)	92050-024	1
OIL SEAL,TB13225.5 (Ref # 92049C)	92051-005	1
"0" RING,31MM (Ref # 92055)	92055-049	1
BOLT-UPSET 6X14 (Ref # 110)	112B0614	3
BOLT,6X14 (Ref # 120)	120P0614	2
BOLT,SOCKET,6X30 (Ref # 120A)	120P0630	12
BOLT,SOCKET,6X40 (Ref # 120B)	120P0640	2
BOLT-SOCKET,6X70 (Ref # 120C)	120P0670	4
BOLT-SOCKET,6X80 (Ref # 120D)	120P0680	2
SCREW PAN HEAD 6X20 (Ref # 220)	220B0620	5