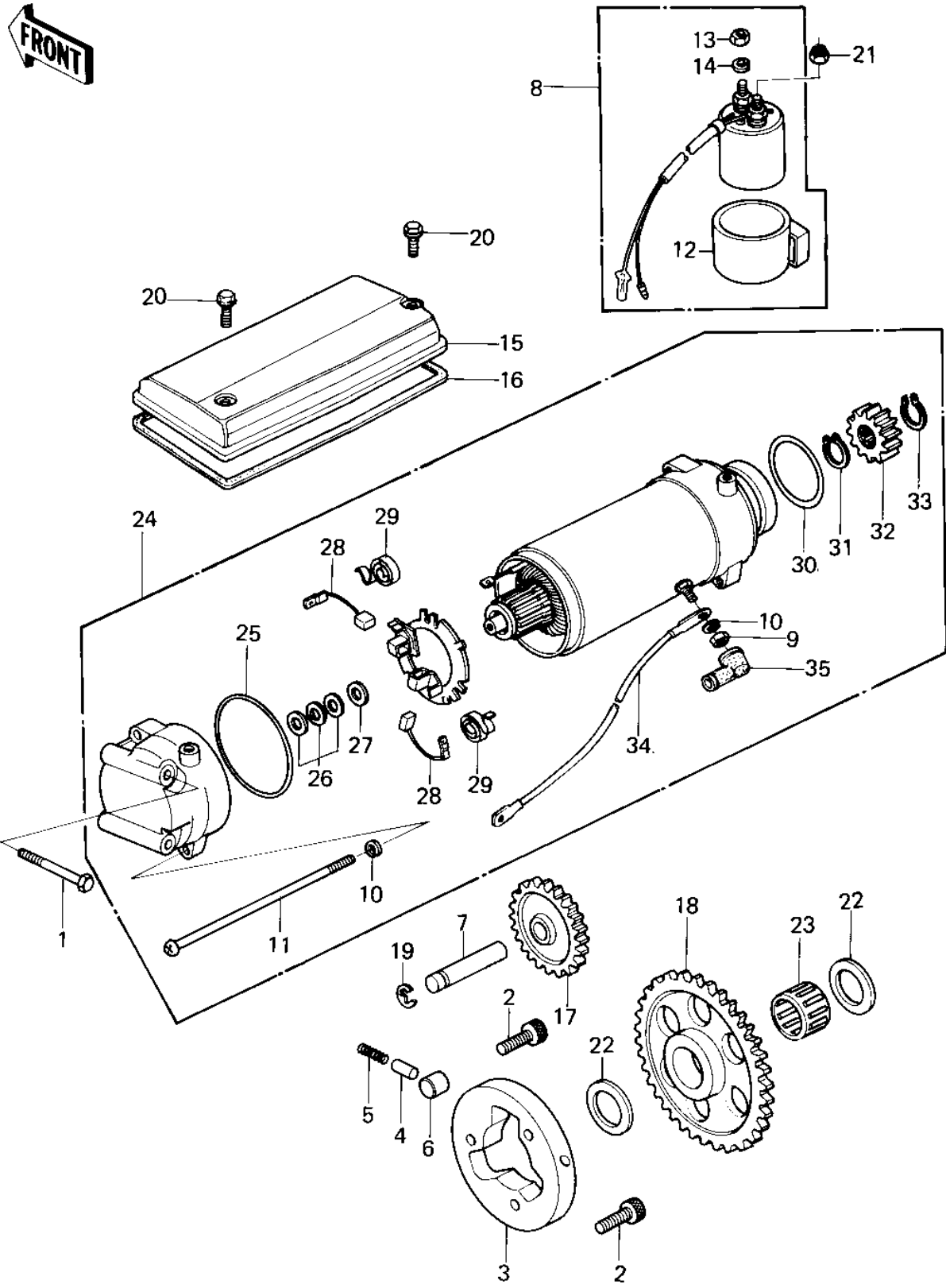


# 1980 KZ750-E1 PARTS DIAGRAM

STARTER MOTOR/STARTER CLUTCH ('80 KZY 50)



# 1980 KZ750-E1 PARTS LIST

## STARTER MOTOR/STARTER CLUTCH ('80 KZY 50

| ITEM NAME                        | PART NUMBER | QUANTITY |
|----------------------------------|-------------|----------|
| BOLT-UPSET (Ref # 1)             | 112G0660    | 2        |
| BOLT,SOCKET,8X12 (Ref # 2)       | 120P0812    | 3        |
| CLUTCH-ASSY-ONEWAY (Ref # 3)     | 13193-1012  | 1        |
| PIN (Ref # 4)                    | 92043-087   | 3        |
| SPRING (Ref # 5)                 | 92081-110   | 3        |
| ROLLER (Ref # 6)                 | 92122-004   | 3        |
| SHAFT,IDLE GEAR (Ref # 7)        | 21143-003   | 1        |
| SWITCH ASSY,MAGNETIC (Ref # 8)   | 21164-005   | 1        |
| NUT 6MM (Ref # 9)                | 312B0600    | 2        |
| WASHER SPRING 6MM (Ref # 10)     | 461F0600    | 4        |
| SCREW,PAN HEAD,6X130 (Ref # 11)  | 21099-006   | 2        |
| DAMPER MAG SWITCH SHK (Ref # 12) | 21064-002   | 1        |
| NUT 6MM (Ref # 13)               | 312B0600    | 1        |
| WASHER SPRING 6MM (Ref # 14)     | 461F0600    | 1        |
| COVER,STARTER (Ref # 15)         | 21165-003   | 1        |
| GASKET,STARTER COVER (Ref # 16)  | 21166-003   | 1        |
| GEAR,IDLE,29T (Ref # 17)         | 21167-004   | 1        |
| SPROCKET,STARTER,58T (Ref # 18)  | 12046-1032  | 1        |
| CIRCLIP 12MM (Ref # 19)          | 482K0200    | 1        |
| BOLT,6X10 (Ref # 20)             | 92001-1151  | 2        |
| NUT,LOCK 6MM (Ref # 21)          | 92017-014   | 1        |
| SPACER,25X36X3.2 (Ref # 22)      | 92026-1025  | 2        |
| BRG,NEEDLE,K253017 (Ref # 23)    | 92046-056   | 1        |
| STARTER-ELECTRIC (Ref # 24)      | 21163-1190  | 1        |
| "O" RING,62MM (Ref # 25)         | 21027-006   | 1        |
| WASHER,THRUST,0.2T (Ref # 26)    | 21025-011   | AR       |
| WASHER,THRUST,1.6T (Ref # 27)    | 21025-010   | 1        |
| CARBON BRUSH (Ref # 28)          | 21039-003   | 2        |
| SPRING,CARBON BRUSH (Ref # 29)   | 21040-003   | 2        |

## 1980 KZ750-E1 PARTS LIST

### STARTER MOTOR/STARTER CLUTCH ('80 KZY 50

| ITEM NAME                     | PART NUMBER | QUANTITY |
|-------------------------------|-------------|----------|
| "0" RING,40M/M (Ref # 30)     | 21027-008   | 1        |
| CIRCLIP (Ref # 31)            | 92033-034   | 1        |
| PINION,STARTER (Ref # 32)     | 21053-004   | 1        |
| CIRCLIP,13M/M (Ref # 33)      | 92033-037   | 1        |
| WIRE,STARTER MOTOR (Ref # 34) | 26011-1081  | 1        |
| GROMMET,CORD (Ref # 35)       | 21017-017   | 1        |