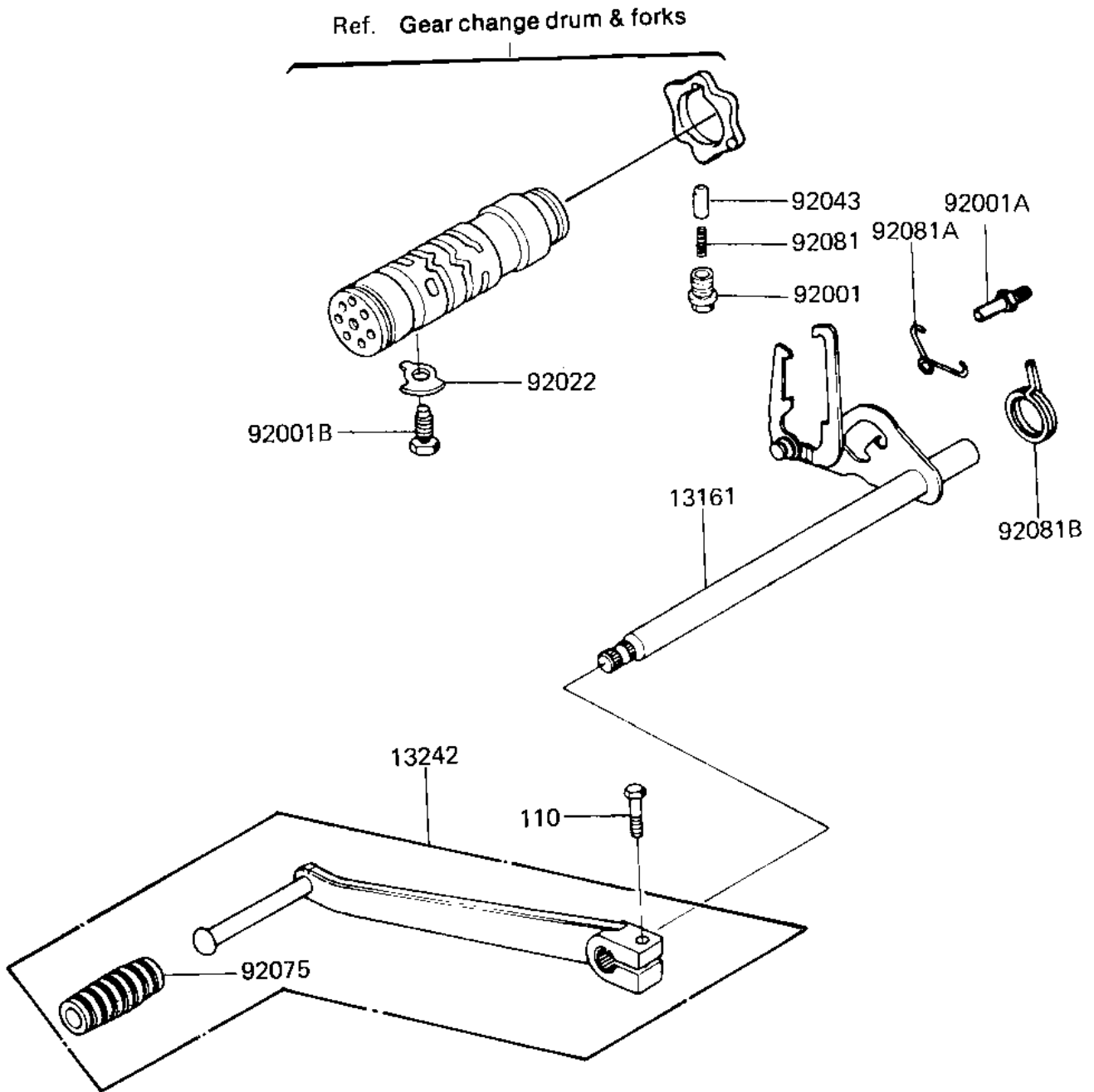


1981 KZ750-E2 PARTS DIAGRAM

GEAR CHANGE MECHANISM ('81-'82 KZ750-E2)



1981 KZ750-E2 PARTS LIST

GEAR CHANGE MECHANISM ('81 -'82 KZ750-E2)

| ITEM NAME | PART NUMBER | QUANTITY |
|-------------------------------------|-------------|----------|
| LEVER ASSY,GEAR SFT (Ref # 13161) | 13161-042 | 1 |
| PEDAL ASSY,GEAR SHIFT (Ref # 13242) | 13242-022 | 1 |
| BOLT,NEUTRAL POSITION (Ref # 92001) | 92001-1037 | 1 |
| BOLT,RETURN SPRING (Ref # 92001A) | 92001-1401 | 1 |
| BOLT,HEX HEAD,10X26 (Ref # 92001B) | 92001-174 | 1 |
| WASHER,LOCK,10MM (Ref # 92022) | 92024-074 | 1 |
| PIN-NEUTRAL POSITION (Ref # 92043) | 92043-076 | 1 |
| DAMPER,CHANGE PEDAL (Ref # 92075) | 92160-1036 | 1 |
| SPRING (Ref # 92081) | 92081-112 | 1 |
| SPRING,KICK PAWL (Ref # 92081A) | 92083-018 | 1 |
| SPRING,CHG PEDL RTRN (Ref # 92081B) | 92083-028 | 1 |
| BOLT-UPSET,6X20 (Ref # 110) | 112G0620 | 1 |