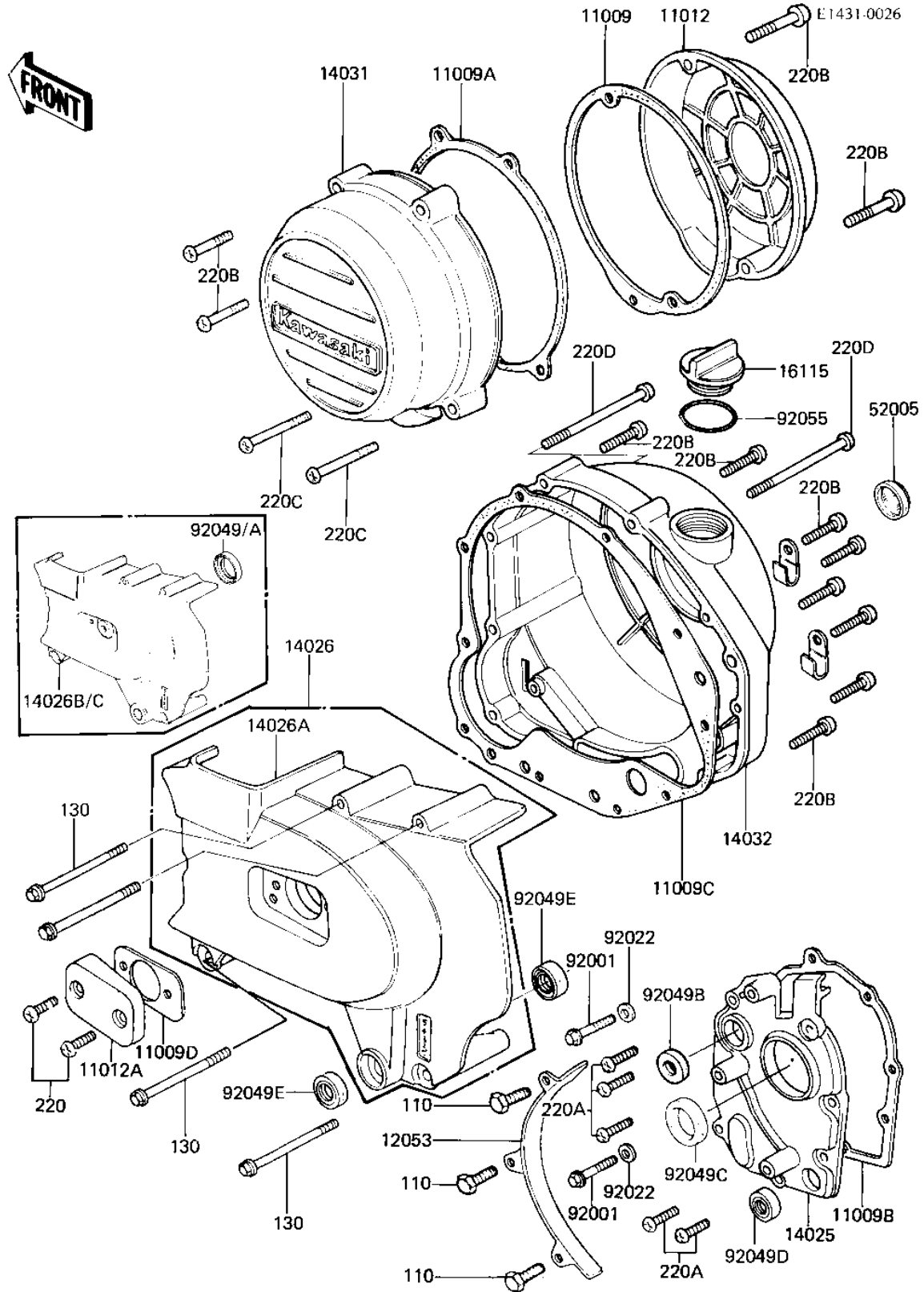


1981 KZ750-E2 PARTS DIAGRAM

ENGINE COVERS ('81 -'82 KZ750-E2/E3)



1981 KZ750-E2 PARTS LIST

ENGINE COVERS ('81 -'82 KZ750-E2/E3)

| ITEM NAME | PART NUMBER | QUANTITY |
|--------------------------------------|--------------|----------|
| GASKET,PULSING COIL C (Ref # 11009) | 11060-1053 | 1 |
| GASKET,GENERATOR COVE (Ref # 11009A) | 11009-1987 | 1 |
| GASKET,TRANSMISSION C (Ref # 11009B) | 11060-1056 | 1 |
| GASKET,R.H.ENG COVER (Ref # 11009C) | 14046-035 | 1 |
| GASKET,CLUTCH ADJ CAP (Ref # 11009D) | 14049-004 | 1 |
| CAP,CONTACT BREAKER (Ref # 11012) | 11012-1098 | 1 |
| COVER,CLUTCH ADJUSTNG (Ref # 11012A) | 14028-006-80 | 1 |
| GUIDE,CHAIN (Ref # 12053) | 12053-1006 | 1 |
| COVER,MISSION (Ref # 14025) | 14024-011 | 1 |
| COVER,ENG SPROCKT,BUF (Ref # 14026A) | 14026-035-80 | 1 |
| COVER-CHAIN (Ref # 14026C) | 14026-1053 | 1 |
| COVER,GENERATOR (Ref # 14031) | 14031-1040 | 1 |
| COVER,CLUTCH F.BLACK (Ref # 14032) | 14032-1026 | 1 |
| PLUG,OIL FILLER (Ref # 16115) | 16115-013 | 1 |
| GAUGE,OIL LEVEL (Ref # 52005) | 52005-1009 | 1 |
| BOLT,HEX HEAD,6X35 (Ref # 92001) | 92001-164 | 2 |
| WASHER OIL PUMP BANJO (Ref # 92022) | 92022-077 | 2 |
| OIL SEAL,CLUTCH RELES (Ref # 92049A) | 92049-1003 | 1 |
| OIL SEAL,SD-8187 (Ref # 92049B) | 92049-1017 | 1 |
| OIL SEAL SC325210 (Ref # 92049C) | 92050-024 | 1 |
| OIL SEAL,TB13225.5 (Ref # 92049D) | 92051-005 | 1 |
| OIL SEAL,TB13225.5 (Ref # 92048E) | 92051-005 | 2 |
| "O" RING,31MM (Ref # 92055) | 92055-049 | 1 |
| BOLT-UPSET 6X14 (Ref # 110) | 112B0614 | 3 |
| BOLT-FLANGED,6X70 (Ref # 130) | 130G0670 | 4 |
| SCREW PAN HEAD 6X18 (Ref # 220) | 220B0618 | 2 |
| SCREW PAN HEAD 6X20 (Ref # 220A) | 220B0620 | 5 |
| SCREW PAN HEAD 6X30 (Ref # 220B) | 220B0630 | 12 |
| SCREW PAN HEAD 6X40 (Ref # 220C) | 220B0640 | 2 |