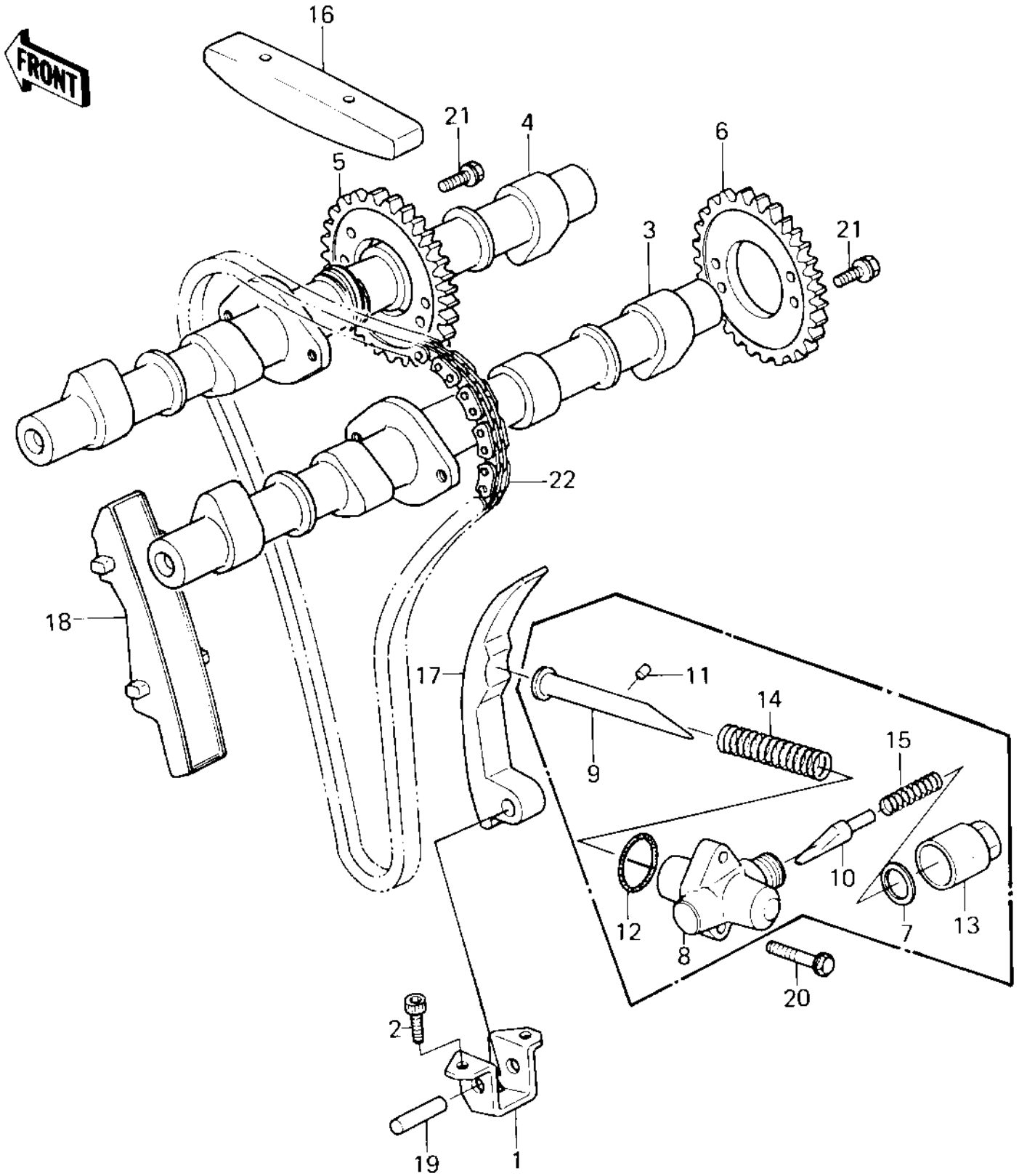


1981 KZ550-A2 PARTS DIAGRAM

CAMSHAFT CHAIN TENSIONER ('80-'81 A1/A2)



1981 KZ550-A2 PARTS LIST

CAMSHAFT CHAIN TENSIONER ('80-'81 A1/A2)

| ITEM NAME | PART NUMBER | QUANTITY |
|-------------------------------------|-------------|----------|
| UNAVAILABLE IN PRICE BOOK (Ref # 1) | ? | ? |
| UNAVAILABLE IN PRICE BOOK (Ref # 2) | ? | ? |
| UNAVAILABLE IN PRICE BOOK (Ref # 3) | ? | ? |
| CAM SHAFT,EXHAUST (Ref # 4) | 12044-1004 | 1 |
| SPROCKET,CAM,42T (Ref # 5) | 12046-1019 | 1 |
| SPROCKET,CAM,42T (Ref # 6) | 12046-1019 | 1 |
| WASHER,18.3X24X1.4T (Ref # 7) | 92022-1175 | 1 |
| TENSIONER,CAM CHAIN (Ref # 8) | 12049-1009 | 1 |
| ROD,PUSH,CAM CHAIN (Ref # 9) | 13116-1020 | 1 |
| ROD,PUSH,CAM CHAIN (Ref # 10) | 13116-1012 | 1 |
| PIN DOWEL 4X8 (Ref # 11) | 610A0408 | 1 |
| "O" RING,22MM (Ref # 12) | 670B2022 | 1 |
| CAP,TENSIONER,18M/M (Ref # 13) | 92015-1100 | 1 |
| SPRING,TENSIONER (Ref # 14) | 92081-1075 | 1 |
| SPRING,TENSIONER (Ref # 15) | 92081-1302 | 1 |
| GUIDE,CAM CHAIN,HEAD (Ref # 16) | 12053-1018 | 1 |
| GUIDE-CHAIN,CAM,RR (Ref # 17) | 12053-1113 | 1 |
| GUIDE,CAM CHAIN,FRONT (Ref # 18) | 12053-1022 | 1 |
| PIN,DOWEL,8X25 (Ref # 19) | 551A0825 | 1 |
| BOLT,FLANGED,6X25 (Ref # 20) | 130G0625 | 2 |
| BOLT,SPROCKET FITTING (Ref # 21) | 92003-208 | 4 |
| CHAIN,CAM,82RH2015-14 (Ref # 22) | 92057-1290 | 1 |