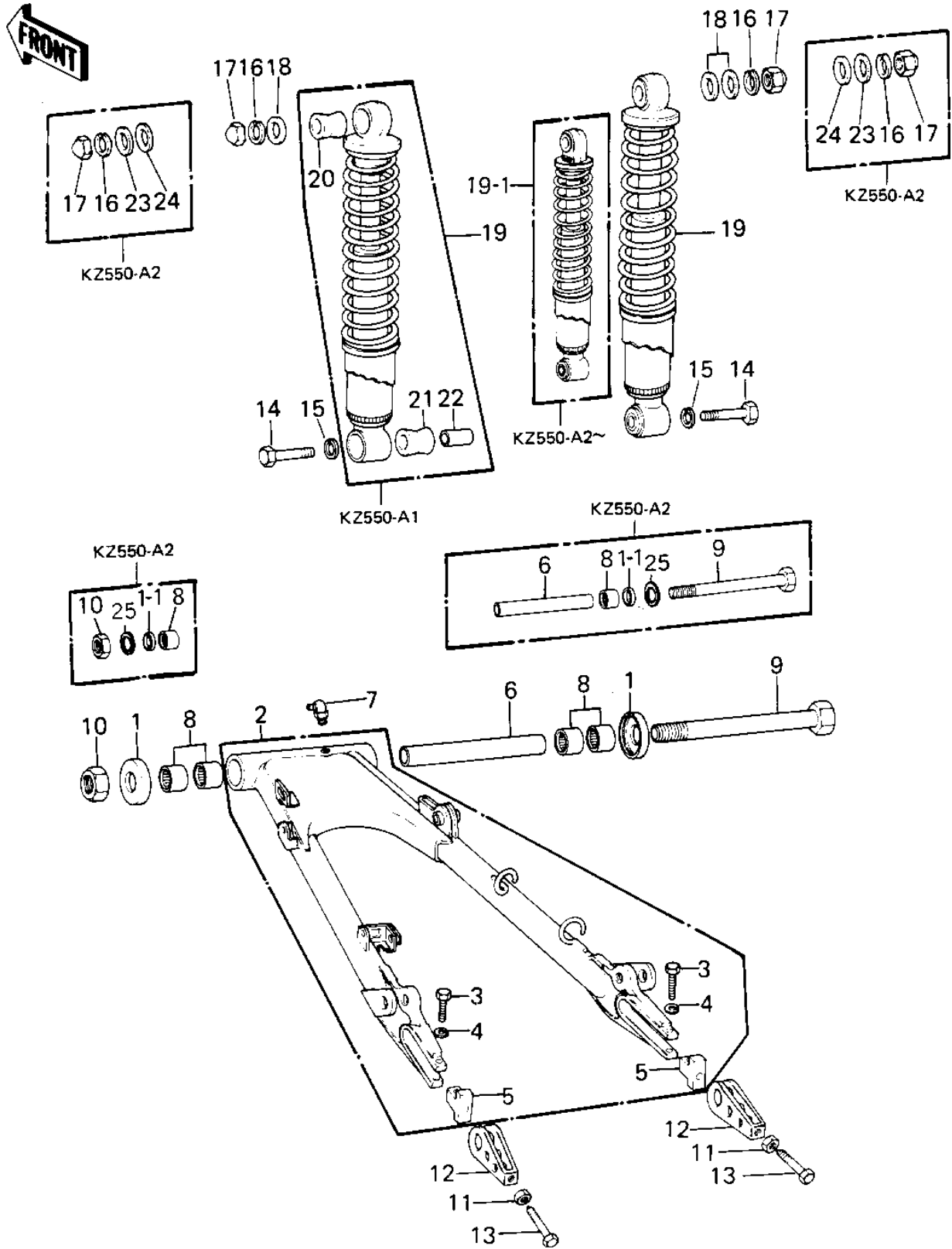


1980 KZ550-A1 PARTS DIAGRAM

SWING ARM/SHOCK ABSORBERS ('80-'81 A1/A2)



1980 KZ550-A1 PARTS LIST

SWING ARM/SHOCK ABSORBERS ('80-'81 A1/A2)

| ITEM NAME | PART NUMBER | QUANTITY |
|----------------------------------|-------------|----------|
| CAP,SWING ARM (Ref # 1) | 11012-1029 | 2 |
| OIL SEAL,MHA22284 (Ref # 1-1) | 92049-1059 | 2 |
| ARM-COMP-SWING (Ref # 2) | 33001-1098 | 1 |
| ARM-COMP-SWING (Ref # 2) | 33001-1098 | 1 |
| BOLT,SMALL UPSET (Ref # 3) | 115G0835 | 2 |
| WASHER SPRING 8MM (Ref # 4) | 461F0800 | 2 |
| STOPPER,CHAIN ADJUST (Ref # 5) | 33044-002 | 2 |
| SLEEVE,SWING ARM (Ref # 6) | 42036-1018 | 1 |
| GREASE NIPPLE (Ref # 7) | 92005-002 | 1 |
| BEARING-NEEDLE,HK2216 (Ref # 8) | 92046-1115 | 4 |
| BEARING-NEEDLE,HK2216 (Ref # 8) | 92046-1115 | 2 |
| SHAFT,SWING ARM (Ref # 9) | 33032-1004 | 1 |
| NUT-LOCK,14MM (Ref # 10) | 92019-011 | 1 |
| NUT 8MM (Ref # 11) | 318B0800 | 2 |
| ADJUSTER,CHAIN (Ref # 12) | 33040-056 | 2 |
| BOLT,8X50 (Ref # 13) | 92001-1399 | 2 |
| BOLT,8X50 (Ref # 13) | 92001-1399 | 2 |
| BOLT HEX HEAD 10X35 (Ref # 14) | 113N1035 | 2 |
| WASHER SPRING 10MM (Ref # 15) | 461F1000 | 2 |
| WASHER SPRING 10MM (Ref # 16) | 461F1000 | 2 |
| NUT SHOCK ABSORBER (Ref # 17) | 92020-003 | 2 |
| WASHER-PLN,10X22X3.2 (Ref # 18) | 92022-176 | 3 |
| SHOCK ABSBR RR (Ref # 19) | 45014-1036 | 2 |
| SHOCK ABSBR RR (Ref # 19-1) | 45014-1082 | 2 |
| BUSHING,SHCK ABS RUB (Ref # 20) | 45017-015 | 2 |
| BUSHING, SHCK ABS RUB (Ref # 21) | 45017-012 | 2 |
| BUSHING,SHOCK ABSORB (Ref # 22) | 45016-008 | 2 |
| WASHER PLAIN 10MM (Ref # 23) | 411B1000 | 2 |
| WASHER-PLN,10X22X3.2 (Ref # 24) | 92022-176 | 2 |