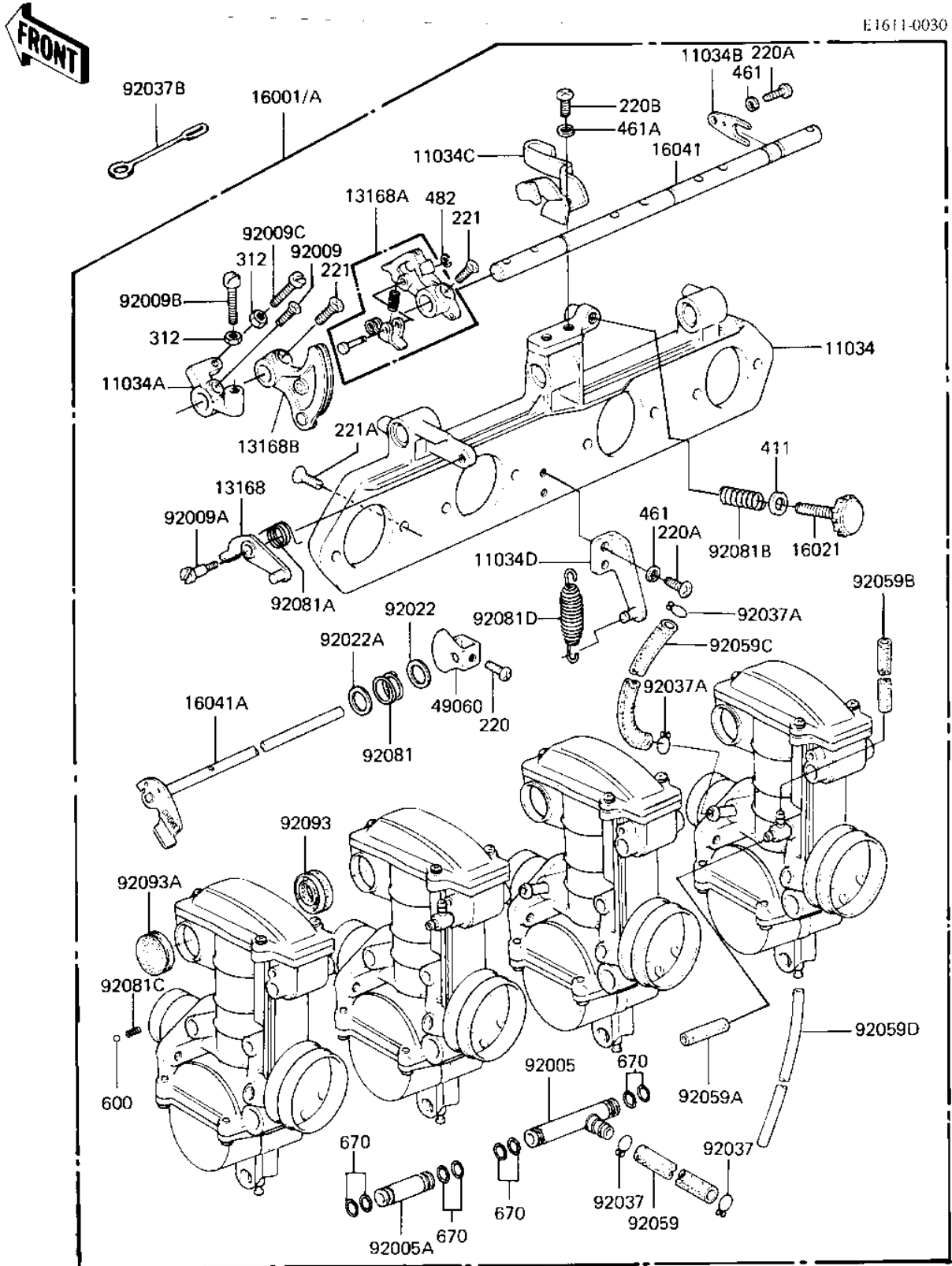


1983 KZ550-A4 PARTS DIAGRAM

CARBURETOR ASSY (KZ550-A3)



1983 KZ550-A4 PARTS LIST

CARBURETOR ASSY (KZ550-A3)

ITEM NAME	PART NUMBER	QUANTITY
BRACKET,CARBURETOR (Ref # 11034)	11034-1588	1
BRACKET,THROTTLE STOP (Ref # 11034A)	11034-1590	1
PLATE,THROTTLE SHAFT (Ref # 11034B)	11034-1591	1
BRACKET,THROTTLE CABL (Ref # 11034C)	11034-1592	1
BRACKET,THROTTLE RETN (Ref # 11034D)	11034-1593	1
LEVER ASSY,TIMING (Ref # 13168)	13168-1053	1
LEVER ASSY,THROTTLE (Ref # 13168A)	13168-1054	1
LEVER,ASSY,THROTTLE (Ref # 13168B)	13168-1055	1
CARBURETOR ASSY, (Ref # 16001)	16001-1210	1
CARBURETOR ASSY, (Canada) (Ref # 16001A)	16001-1285	1
SCREW,THROTTLE STOP (Ref # 16021)	16021-1017	1
SHAFT,THROTTLE (Ref # 16041)	16041-1012	1
SHAFT,CHOKE LEVER (Ref # 16041A)	16041-1021	1
CAM,CHOKE (Ref # 49060)	49060-1002	1
"T"JOINT,FUEL (Ref # 92005)	92005-1020	1
JOINT,FUEL (Ref # 92005A)	92005-1021	2
SCREW.CNTSNK HD,4X12 (Ref # 92009)	92009-1080	1
SCREW,TIMING LEVER (Ref # 92009A)	92009-1081	1
SCREW,TIMING LEVER (Ref # 92009B)	92009-1082	1
SCREW,THROTTLE STOP (Ref # 92009C)	92009-1083	1
WASHER,CHOKE LEVER (Ref # 92022)	92022-1168	1
WASHER,CHOKE LEVER (Ref # 92022A)	92022-1169	1
CLAMP,FUEL HOSE (Ref # 92037)	92037-1158	2
CLAMP,NEGATIVE PRESSU (Ref # 92037A)	92037-1159	2
CLAMP,OVER FLOW PIPE (Ref # 92037B)	92037-134	1
HOSE,FUEL,7X12X180 (Ref # 92059)	92059-1098	1
HOSE,AIR VENT,4.5X30 (Ref # 92059A)	92059-1099	2
HOSE,AIR VENT,4.5X300 (Ref # 92059B)	92059-1100	2
HOSE,NEGATIVE PRESSUR (Ref # 92059C)	92059-1101	1

1983 KZ550-A4 PARTS LIST

CARBURETOR ASSY (KZ550-A3)

ITEM NAME	PART NUMBER	QUANTITY
HOSE,OVERFLOW,3.5X550 (Ref # 92059D)	92059-1102	4
SPRING,CHOKE LEVER (Ref # 92081)	92081-1191	1
SPRING,TIMING LEVER (Ref # 92081A)	92081-1192	1
SPRING,ADJUST SCREW (Ref # 92081B)	92081-1193	1
SPRING, CHOKE LEVER (Ref # 92081C)	92081-1195	1
SPRING,THROTTLE RETRN (Ref # 92081D)	92081-1381	1
DUST SEAL,THROTTLE (Ref # 92093)	92093-1033	6
CAP,THROTTLE SHAFT (Ref # 92093A)	92093-1034	2
SCREW PAN HEAD 4X8 (Ref # 220)	220B0408	1
SCREW-PAN-CROS (Ref # 220A)	220B0514	3
SCREW PAN HEAD 6X14 (Ref # 220B)	220B0614	2
SCREW,CNTSNK HD,5X14 (Ref # 221)	221B0514A	2
SCREW CNTSNK HD 6X16 (Ref # 221A)	221B0616	8
NUT 5MM (Ref # 312)	312B0500	2
WASHER PLAIN 6MM (Ref # 411)	411B0600	1
WASHER SPRING 5MM (Ref # 461)	461F0500	3
WASHER SPRING 6MM (Ref # 461A)	461F0600	2
CIRCLIP,3M/M (Ref # 482)	482J3000	1
BALL STEEL 5/32' (Ref # 600)	600A0500	1
"O" RING,7MM (Ref # 670)	670B1507	12