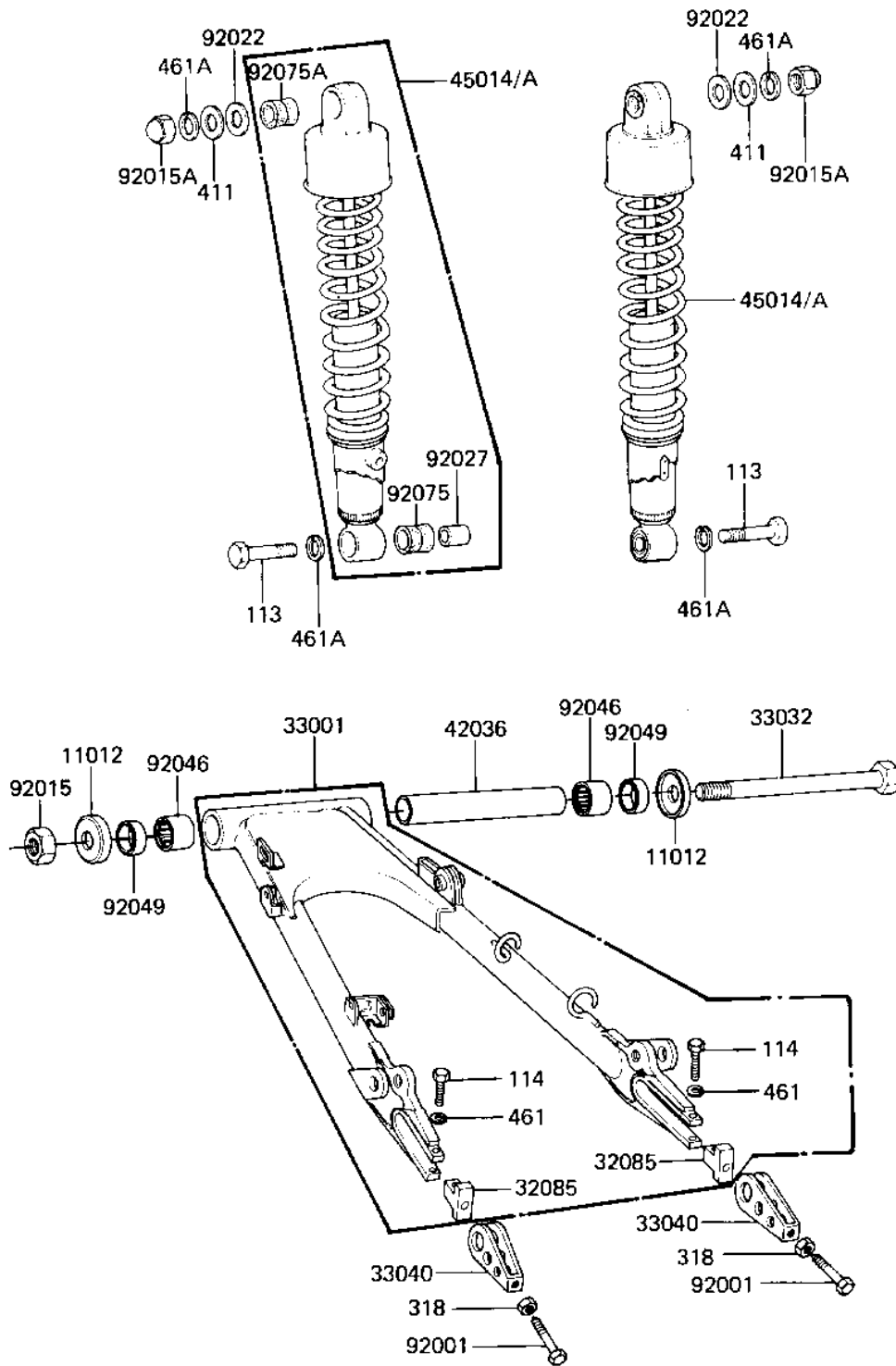


# 1983 KZ550-A4 PARTS DIAGRAM

SWING ARM/SHOCK ABSORBERS ('82-'83 A3/A4)



F2140-0050



# 1983 KZ550-A4 PARTS LIST

SWING ARM/SHOCK ABSORBERS ('82-'83 A3/A4)

| ITEM NAME                           | PART NUMBER | QUANTITY |
|-------------------------------------|-------------|----------|
| CAP,SWING ARM (Ref # 11012)         | 11012-1029  | 2        |
| STOPPER,CHAIN ADJUST (Ref # 32085)  | 33044-002   | 2        |
| ARM-COMP-SWING (Ref # 33001)        | 33001-1098  | 1        |
| SHAFT,SWING ARM (Ref # 33032)       | 33032-1004  | 1        |
| ADJUSTER,CHAIN (Ref # 33040)        | 33040-056   | 2        |
| SLEEVE,SWING ARM (Ref # 42036)      | 42036-1018  | 1        |
| SHOCKABSORBER,RR (Ref # 45014A)     | 45014-1213  | 2        |
| BOLT,8X50 (Ref # 92001)             | 92001-1399  | 2        |
| NUT-LOCK,14MM (Ref # 92015)         | 92019-011   | 1        |
| NUT SHOCK ABSORBER (Ref # 92015A)   | 92020-003   | 2        |
| WASHER-PLN,10X22X3.2 (Ref # 92022)  | 92022-176   | 2        |
| BUSHING,SHOCK ABSORB (Ref # 92027)  | 45016-008   | 2        |
| BEARING-NEEDLE,HK2216 (Ref # 92046) | 92046-1115  | 2        |
| OIL SEAL,MHA22284 (Ref # 92049)     | 92049-1059  | 2        |
| BUSHING, SHCK ABS RUB (Ref # 92075) | 45017-012   | 2        |
| BUSHING,SHCK ABS RUB (Ref # 92075A) | 45017-015   | 2        |
| BOLT HEX HEAD 10X35 (Ref # 113)     | 113N1035    | 2        |
| BOLT,SMALL UPSET (Ref # 114)        | 115G0835    | 2        |
| NUT 8MM (Ref # 318)                 | 318B0800    | 2        |
| WASHER PLAIN 10MM (Ref # 411)       | 411B1000    | 2        |
| WASHER SPRING 8MM (Ref # 461)       | 461F0800    | 2        |
| WASHER SPRING 10MM (Ref # 461A)     | 461F1000    | 4        |