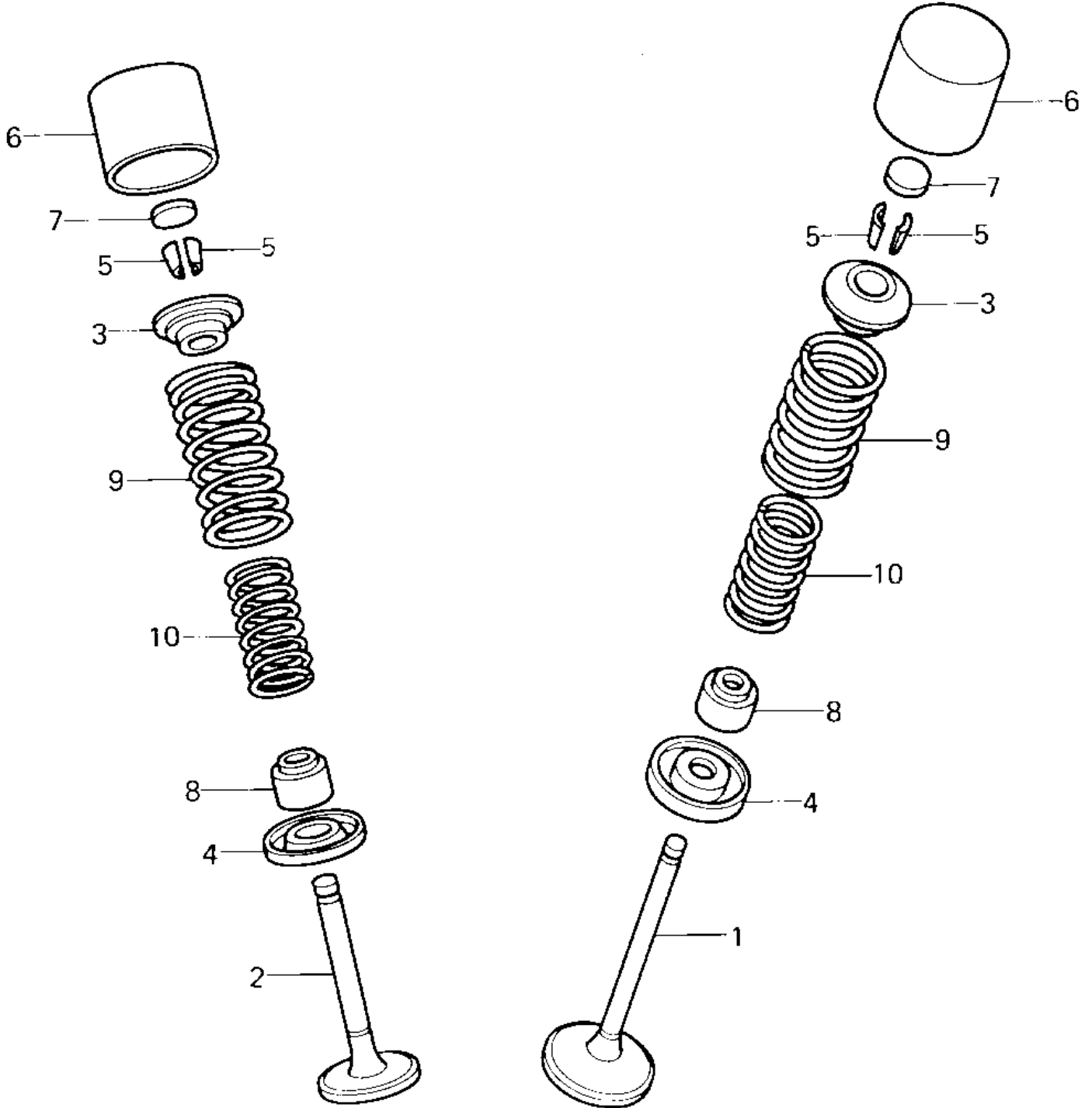


1981 LTD PARTS DIAGRAM

VALVES ('80-'81 C1/C2)



1981 LTD PARTS LIST

VALVES ('80-'81 C1/C2)

ITEM NAME	PART NUMBER	QUANTITY
VALVE-INTAKE (Ref # 1)	12004-5001	4
VALVE,INTAKE (Ref # 1)	12004-1016	4
VALVE-EXHAUST (Ref # 2)	12005-5001	4
VALVE,EXHAUST (Ref # 2)	12005-1013	4
RETAINER,VALVE SPRING (Ref # 3)	12009-1002	8
SEAT-SPRING,VALVE (Ref # 4)	16007-1024	8
SPLIT KEEPER,VALVE SP (Ref # 5)	12011-1002	16
SPLIT KEEPER,VALVE SP (Ref # 5)	12011-1003	16
TAPPET (Ref # 6)	12032-1001	8
SHIM,2.007 (Ref # 7)	92025-1090	AR
SHIM,2.05T (Ref # 7)	92025-1091	AR
SHIM,2.10T (Ref # 7)	92025-1092	AR
SHIM,2.15T (Ref # 7)	92025-1093	AR
SHIM,2.20T (Ref # 7)	92025-1094	AR
SHIM,2.25T (Ref # 7)	92025-1095	AR
SHIM,2.30T (Ref # 7)	92025-1096	AR
SHIM,2.35T (Ref # 7)	92025-1097	AR
SHIM,2.40T (Ref # 7)	92025-1098	AR
SHIM,2.45T (Ref # 7)	92025-1099	AR
SHIM,2.50T (Ref # 7)	92025-1100	AR
SHIM T2.55 (Ref # 7)	92025-1101	AR
SHIM,2.60T (Ref # 7)	92025-1102	AR
SHIM,2.65T (Ref # 7)	92025-1103	AR
SHIM,2.70T (Ref # 7)	92025-1104	AR
SHIM,2.75T (Ref # 7)	92025-1105	AR
SHIM,2.80T (Ref # 7)	92025-1106	AR
SHIM,2.85T (Ref # 7)	92025-1107	AR
SHIM,2.90T (Ref # 7)	92025-1108	AR
SHIM,2.95 (Ref # 7)	92025-1109	AR

1981 LTD PARTS LIST

VALVES ('80-'81 C1/C2)

ITEM NAME	PART NUMBER	QUANTITY
SHIM,3.00T (Ref # 7)	92025-1110	AR
SHIM,3.05T (Ref # 7)	92025-1111	AR
SHIM,3.10T (Ref # 7)	92025-1112	AR
SHIM,3.15T (Ref # 7)	92025-1113	AR
SHIM,3.20T (Ref # 7)	92025-1114	AR
SEAL-OIL,VALVE STEM (Ref # 8)	92049-1153	8
SPRING,VALVE,OUTER (Ref # 9)	49078-1002	8
SPRING,VALVE,OUTER (Ref # 9)	49078-1002	8
SPRING,VALVE,INNER (Ref # 10)	49078-1001	8
SPRING,VALVE,INNER (Ref # 10)	49078-1001	8