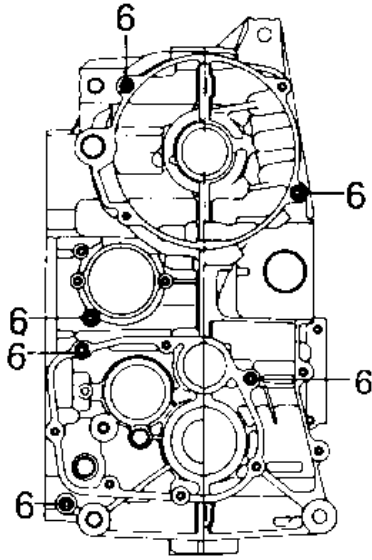


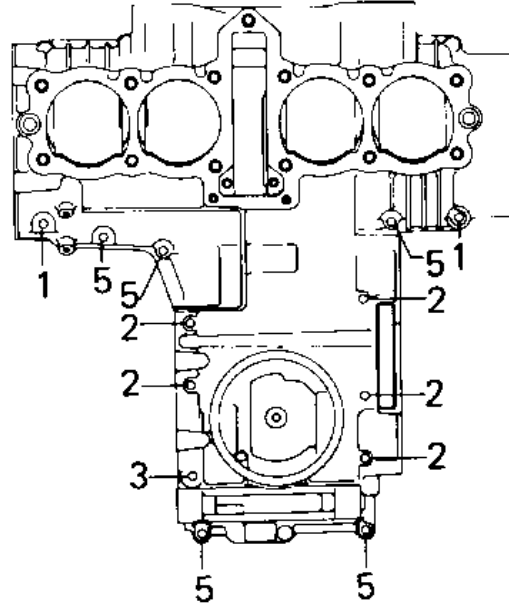
1980 LTD PARTS DIAGRAM

CRANKCASE BOLT & STUD PATTERN ('80-'81 C)

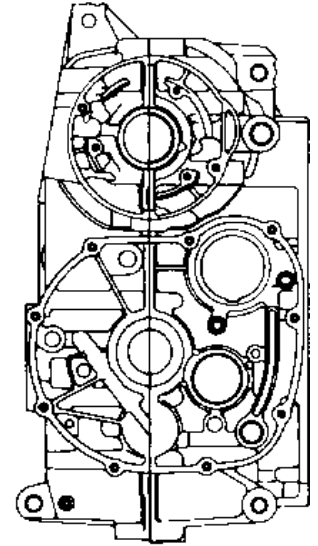
(L. H.)



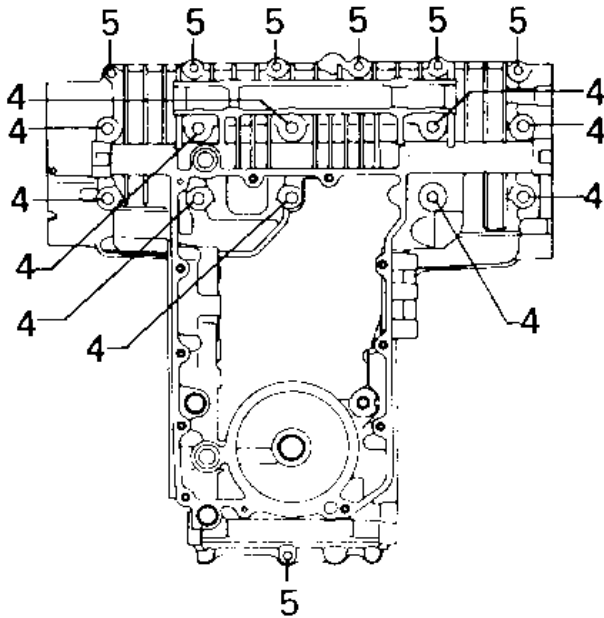
Upper Case (Outside)



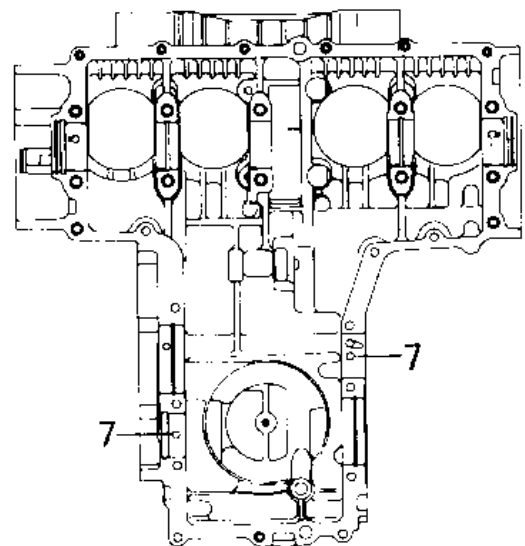
(R. H.)



Lower Case (Outside)



Upper Case (Inside)



1980 LTD PARTS LIST

CRANKCASE BOLT & STUD PATTERN ('80-'81 C)

ITEM NAME	PART NUMBER	QUANTITY
BOLT,HEX HEAD,6X54 (Ref # 1)	92003-110	2
BOLT-FLANGED,6X95 (Ref # 2)	130G0695	5
BOLT,6X105 (Ref # 3)	92003-194	1
BOLT-FLANGED,8X95 (Ref # 4)	130P0895	10
BOLT,HEX HEAD,6X41 (Ref # 5)	92003-109	12
PIN-DOWEL (Ref # 6)	92042-007	6
PIN DOWEL 6MM (Ref # 7)	92042-016	(2