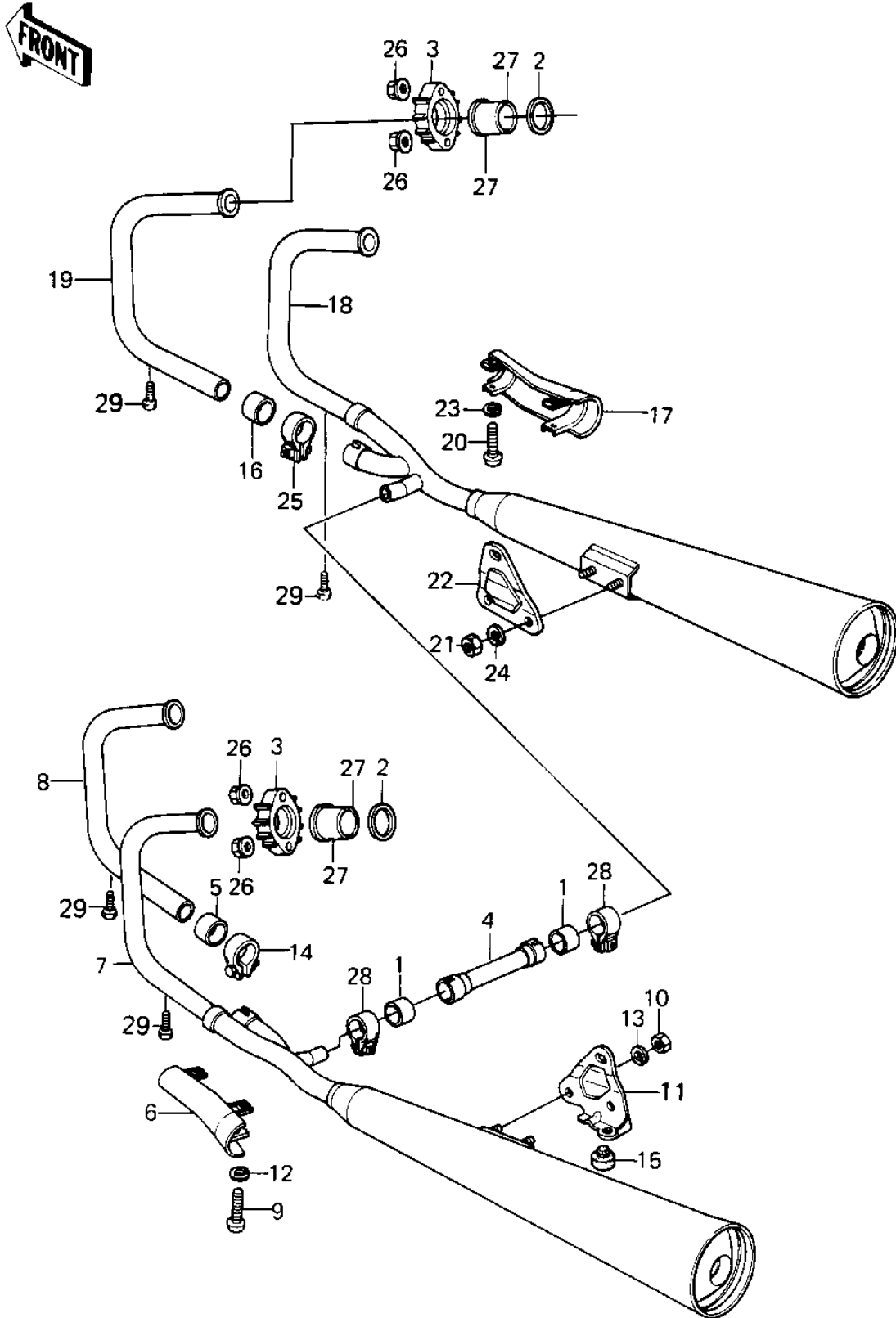


1980 LTD PARTS DIAGRAM

MUFFLERS ('80-'81 C1/C2)



1980 LTD PARTS LIST

MUFFLERS ('80-'81 C1/C2)

ITEM NAME	PART NUMBER	QUANTITY
GASKET,MUFFLER CONNEC (Ref # 1)	11060-1051	2
GASKET,EXHAUST PIPE H (Ref # 2)	11009-1866	4
HOLDER,EXHAUST PIPE (Ref # 3)	18069-1006	4
PIPE,MUFFLER CONNECT1 (Ref # 4)	32032-1671	1
GASKET,EXHAUST PIPE C (Ref # 5)	11009-1667	1
COVER,MUFFLER,LH (Ref # 6)	14025-1531	1
MUFFLER,LH (Ref # 7)	18001-1305	1
MUFFLER,LH (Ref # 7)	18001-1305	1
PIPE,EXHAUST,#2 (Ref # 8)	18049-1067	1
PIPE,EXHAUST,#2 (Ref # 8)	18049-1067	1
SCREW PAN HEAD 6X40 (Ref # 9)	220B0640	2
NUT,8M/M (Ref # 10)	317B0800	2
BRACKET,MUFFLER,L.H. (Ref # 11)	32069-1064	1
WASHER SPRING 6MM (Ref # 12)	461F0600	2
WASHER SPRING 8MM (Ref # 13)	461F0800	2
CLAMP,EXHAUST PIPE (Ref # 14)	92037-1089	1
CLAMP,42MM (Ref # 14)	92037-1349	1
DAMPER RUBBER,MAIN ST (Ref # 15)	92075-1002	1
GASKET,EXHAUST PIPE C (Ref # 16)	11009-1667	1
COVER,MUFFLER,RH (Ref # 17)	14025-1532	1
MUFFLER,RH (Ref # 18)	18001-1306	1
MUFFLER,RH (Ref # 18)	18001-1306	1
PIPE,EXHAUST,#3 (Ref # 19)	18049-1068	1
PIPE,EXHAUST,#3 (Ref # 19)	18049-1068	1
SCREW PAN HEAD 6X40 (Ref # 20)	220B0640	2
NUT,8M/M (Ref # 21)	317B0800	2
BRACKET,MUFFLER,R.H. (Ref # 22)	32069-1065	1
WASHER SPRING 6MM (Ref # 23)	461F0600	2
WASHER SPRING 8MM (Ref # 24)	461F0800	2