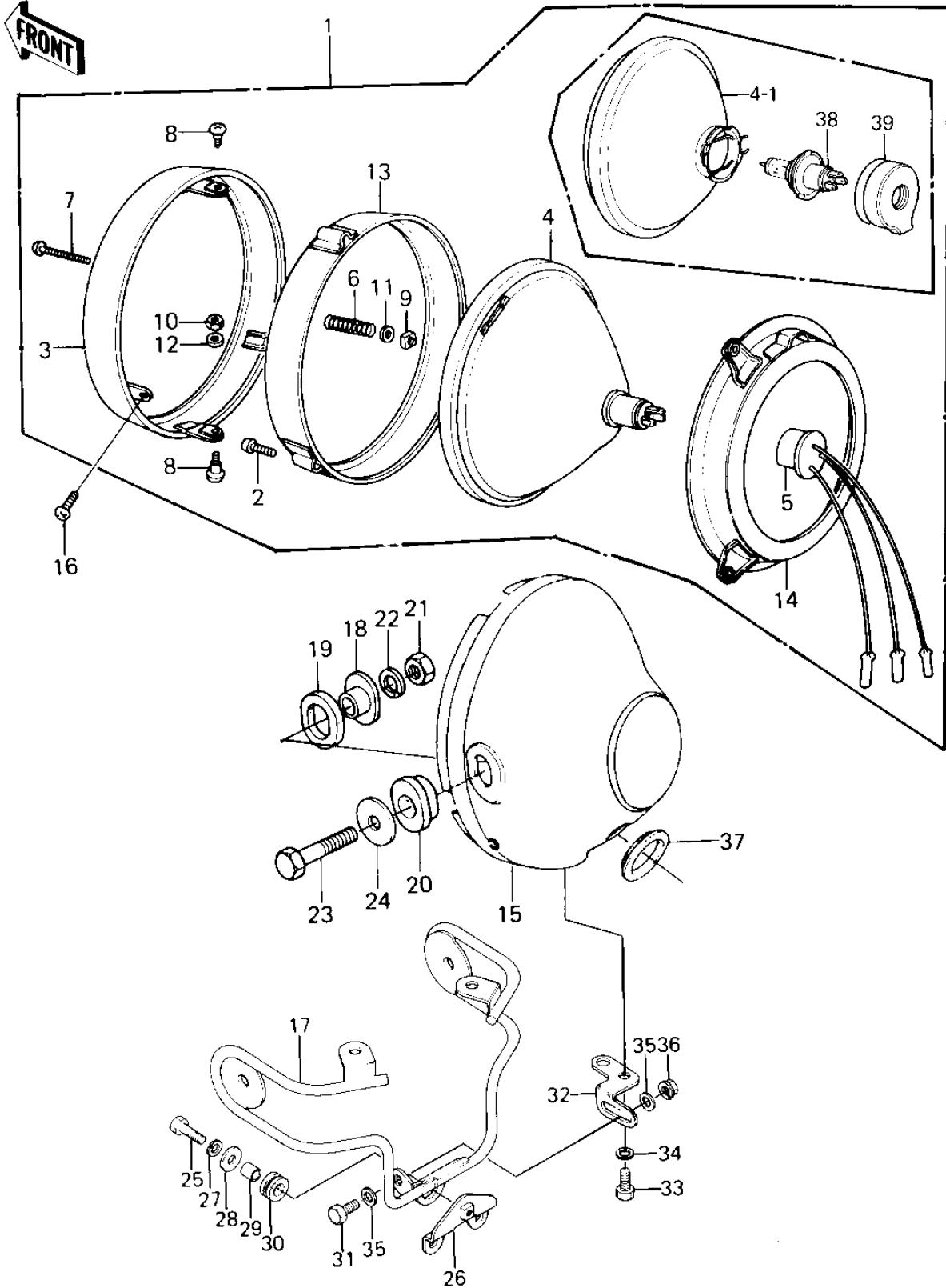


# 1981 LTD PARTS DIAGRAM

HEADLIGHT ('80-'81 C1/C2)



# 1981 LTD PARTS LIST

## HEADLIGHT ('80-'81 C1/C2)

ITEM NAME	PART NUMBER	QUANTITY
LAMP UNIT,HEAD (Ref # 1)	23003-017	1
LAMP-HEAD (Ref # 1)	23004-1040	1
SCREW PAN HEAD 3X12 (Ref # 2)	220B0312	2
RIM,HEAD LAMP (Ref # 3)	23006-038	1
SEALD BEAM UNIT (Ref # 4)	23007-041	1
LENS UNIT,HEAD LAMP (Ref # 4-1)	23007-1009	1
SOCKET ASSY,HEAD LAMP (Ref # 5)	23008-037	1
SPRING FOCUS ADJUST (Ref # 6)	23014-005	1
SCREW FORCUS ADJUST (Ref # 7)	23019-021	1
SCREW-PAN HEAD,5X12 (Ref # 8)	23019-023	2
NUT,4MM (Ref # 9)	23020-018	1
NUT,HEAD LAMP RIM FIT (Ref # 10)	23020-023	2
WASHER (Ref # 11)	23021-004	1
WASHER-PLAIN,5MM (Ref # 12)	23021-012	2
RING,HEAD LAMP MOUNT (Ref # 13)	23072-001	1
RING,HEAD LAMP MOUNT (Ref # 14)	23074-001	1
BODY-COMP-HEAD LAMP (Ref # 15)	23005-1016	1
BODY-COMP-HEAD LAMP (Ref # 15)	23005-1016	1
SCREW,PAN HEAD,5X14 (Ref # 16)	23019-022	2
BRACKET,HEAD LAMP (Ref # 17)	11034-1787	1
COLLAR,HEAD LIGHT (Ref # 18)	23052-011	2
DAMPER RUBBER (Ref # 19)	23066-021	2
DAMPER RUBBER (Ref # 20)	23066-022	2
NUT 10MM (Ref # 21)	315B1000	2
WASHER SPRING 10MM (Ref # 22)	461F1000	2
BOLT,10MM (Ref # 23)	92007-024	2
WASHER,HEAD LAMP (Ref # 24)	92022-1054	2
BOLT-UPSET (Ref # 25)	112G0625	1
BRACKET, (Ref # 26)	11034-1791	1

## 1981 LTD PARTS LIST

### HEADLIGHT ('80-'81 C1/C2)

ITEM NAME	PART NUMBER	QUANTITY
WASHER SPRING 6MM (Ref # 27)	461F0600	1
WASHER 6.5X20X1.6T (Ref # 28)	92022-125	1
COLLAR (Ref # 29)	92027-241	1
DAMPER RUBBER,RR FENR (Ref # 30)	92075-209	1
BOLT-UPSET,6X12 (Ref # 31)	112G0612	1
BRACKET, (Ref # 32)	11034-1792	1
BOLT-SMALL-UPSET,8X16 (Ref # 33)	115G0816	1
WASHER SPRING 8MM (Ref # 34)	461F0800	1
WASHER PLAIN 6MM (Ref # 35)	411B0600	2
NUT,LOCK 6MM (Ref # 36)	92017-014	1
GROMMET (Ref # 37)	92071-1008	1
GROMMET (Ref # 37)	92071-1008	2
BULB,12V-60/55W (Ref # 38)	92069-1002	1
DUST COVER (Ref # 39)	49016-1016	1