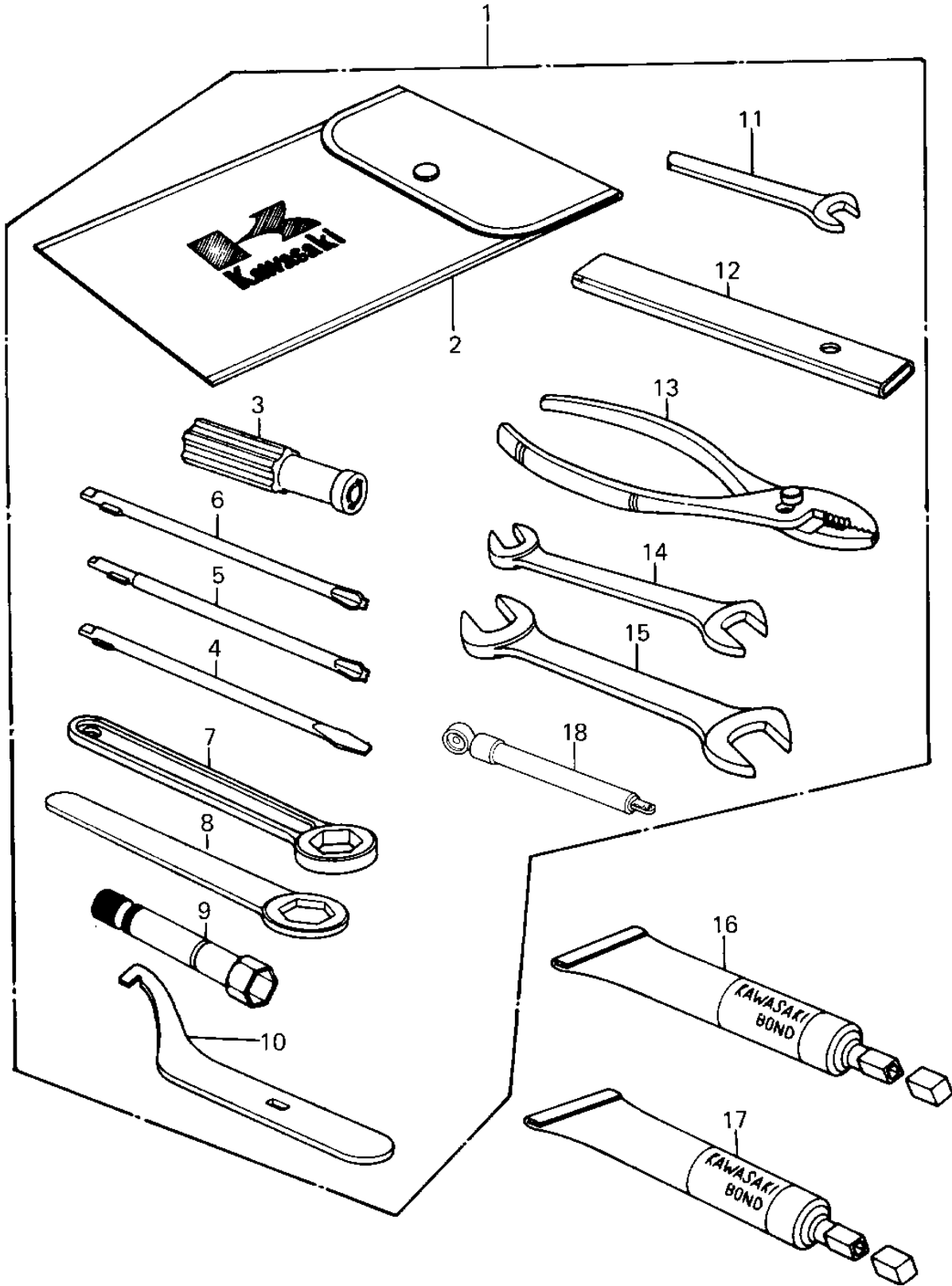


1981 LTD PARTS DIAGRAM

OWNER TOOLS ('80-'81 C1/C2)



1981 LTD PARTS LIST

OWNER TOOLS ('80-'81 C1/C2)

| ITEM NAME | PART NUMBER | QUANTITY |
|----------------------------------|-------------|----------|
| TOOL KIT (Ref # 1) | 56007-1060 | 1 |
| TOOL KIT (Ref # 1) | 56007-1070 | 1 |
| BAG,TOOL (Ref # 2) | 56008-009 | 1 |
| GRIP,SCREW DRIVER (Ref # 3) | 92106-1001 | 1 |
| 92107-1052 (Canada) (Ref # 4) | 92107-007 | 1 |
| TOOL-DRIVER (Ref # 5) | 92107-1052 | 1 |
| 92107-1002 (Canada) (Ref # 6) | 92107-008 | 1 |
| TOOL-WRENCH,BOX END,2 (Ref # 7) | 92110-1147 | 1 |
| TOOL-WRENCH,BOX END,1 (Ref # 8) | 92110-1151 | 1 |
| TOOL-WRENCH,BOX END,2 (Ref # 8) | 92110-1148 | 1 |
| WRENCH,SPARK PLUG (Ref # 9) | 92110-1018 | 1 |
| WRENCH,HOOK (Ref # 10) | 92110-1019 | 1 |
| WRENCH,OPEN END,10M/M (Ref # 11) | 92110-1031 | 1 |
| WRENCH,OPEN END,19M/M (Ref # 11) | 92110-1004 | 1 |
| WRENCH,OPEN END,19M/M (Ref # 12) | 92111-004 | 1 |
| PLIERS,160MM (Ref # 13) | 92112-003 | 1 |
| WRENCH,OPEN END,12X13 (Ref # 14) | 92126-002 | 1 |
| TOOL-WRENCH,OPEN END (Ref # 14) | 92110-1038 | 1 |
| TOOL-WRENCH,OPEN END, (Ref # 15) | 92110-1153 | 1 |
| LIQUID GASKET (Ref # 16) | 92104-002 | (1 |
| BOND,#10 (Ref # 17) | 56019-120 | (1 |
| GAUGE,AIR,3.5KG/CM2 (Ref # 18) | 52005-1031 | 1 |