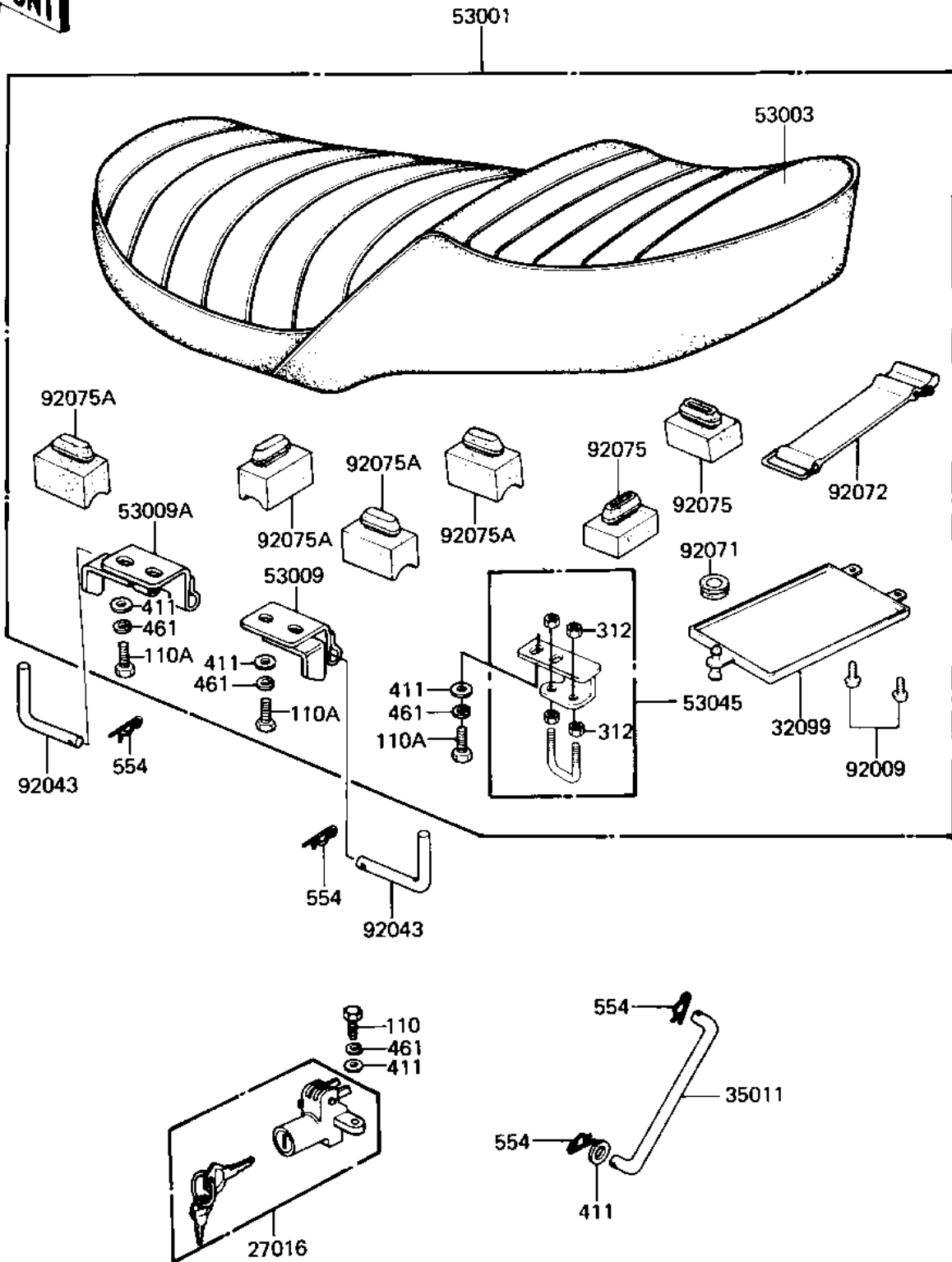


1982 LTD PARTS DIAGRAM

SEAT ('82-'83 C3/C4)

F2510-0061



1982 LTD PARTS LIST

SEAT ('82-'83 C3/C4)

| ITEM NAME | PART NUMBER | QUANTITY |
|-----------------------------------|-------------|----------|
| LOCK-ASSY,SEAT (Ref # 27016) | 27016-5010 | 1 |
| CASE (Ref # 32099) | 32099-011 | 1 |
| STOPPER,SEAT (Ref # 35011) | 53054-006 | 1 |
| SEAT-ASSY,DUAL (Ref # 53001) | 53001-1114 | 1 |
| LEATHER,SEAT (Ref # 53003) | 53003-1035 | 1 |
| HINGE,SEAT,FRONT (Ref # 53009) | 53009-1023 | 1 |
| HINGE,SEAT,REAR (Ref # 53009A) | 53009-1024 | 1 |
| HOOK ASSY,SEAT (Ref # 53045) | 53045-1002 | 1 |
| SCREW (Ref # 92009) | 92009-1043 | 2 |
| PIN,DUAL SEAT PIVOT (Ref # 92043) | 53011-008 | 2 |
| GROMMET (Ref # 92071) | 92071-056 | 1 |
| BAND,TOOL (Ref # 92072) | 92072-1044 | 2 |
| DAMPER RUBBER (Ref # 92075) | 92075-099 | 2 |
| DAMPER RUBBER-SEAT (Ref # 92075A) | 92075-156 | 4 |
| BOLT-UPSET 6X14 (Ref # 110) | 112B0614 | 1 |
| BOLT-UPSET,6X16 (Ref # 110A) | 112G0616 | 6 |
| NUT 6MM (Ref # 312) | 312B0600 | 4 |
| WASHER PLAIN 6MM (Ref # 411) | 411B0600 | 8 |
| WASHER SPRING 6MM (Ref # 461) | 461F0600 | 7 |
| PIN-SNAP,5MM (Ref # 554) | 554A0500 | 4 |