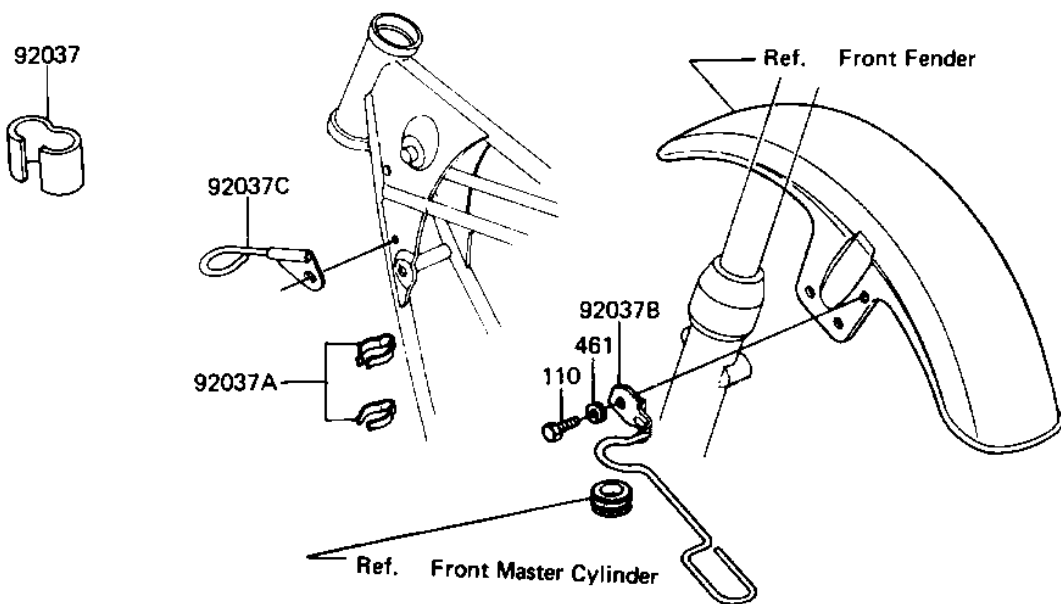
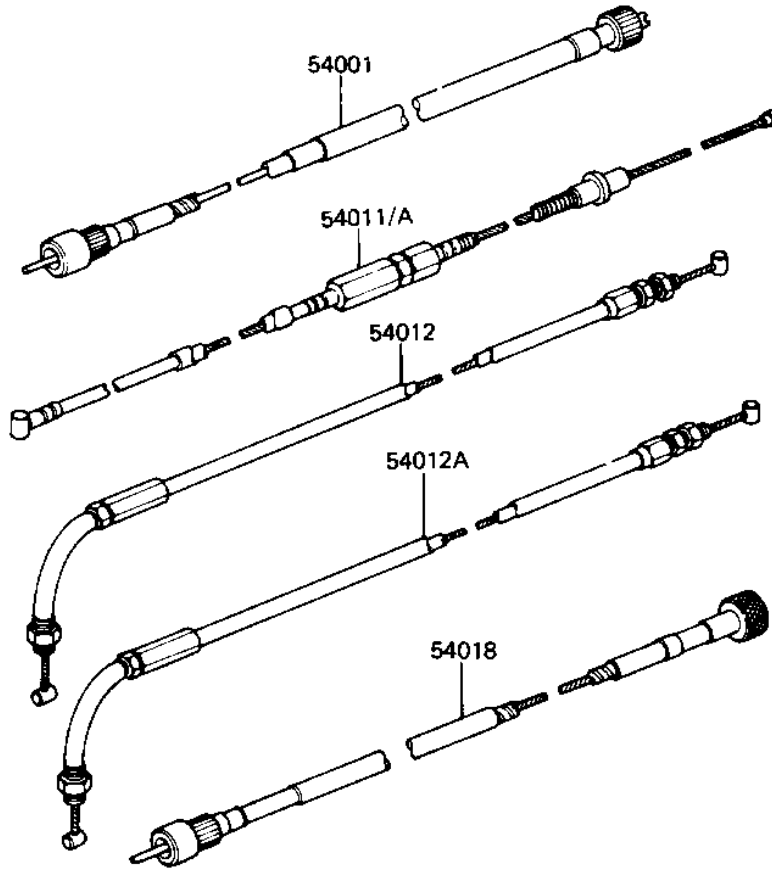


# 1982 LTD PARTS DIAGRAM

CABLES ('82-'83 G3/C4)

F2540-0041



## 1982 LTD PARTS LIST

### CABLES ('82-'83 G3/C4)

ITEM NAME	PART NUMBER	QUANTITY
CABLE,SPEEDOMETER (Ref # 54001)	54001-1029	1
CABLE,CLUTCH (Ref # 54011)	54011-1047	1
CABLE,THROTTLE,OPEN (Ref # 54012)	54012-1012	1
CABLE,THROTTLE,CLOSE (Ref # 54012A)	54012-1013	1
CABLE,TACHOMETER (Ref # 54018)	54018-1008	1
CLAMP-CABLE (Ref # 92037)	92037-069	1
CLAMP,CLUTCH CABLE (Ref # 92037A)	92037-1086	2
CLAMP,CABLE (Ref # 92037B)	92037-1116	1
CLAMP,CLUTCH CABLE (Ref # 92037C)	92037-1282	1
BOLT-UPSET,6X12 (Ref # 110)	112G0612	1
WASHER SPRING 6MM (Ref # 461)	461F0600	1