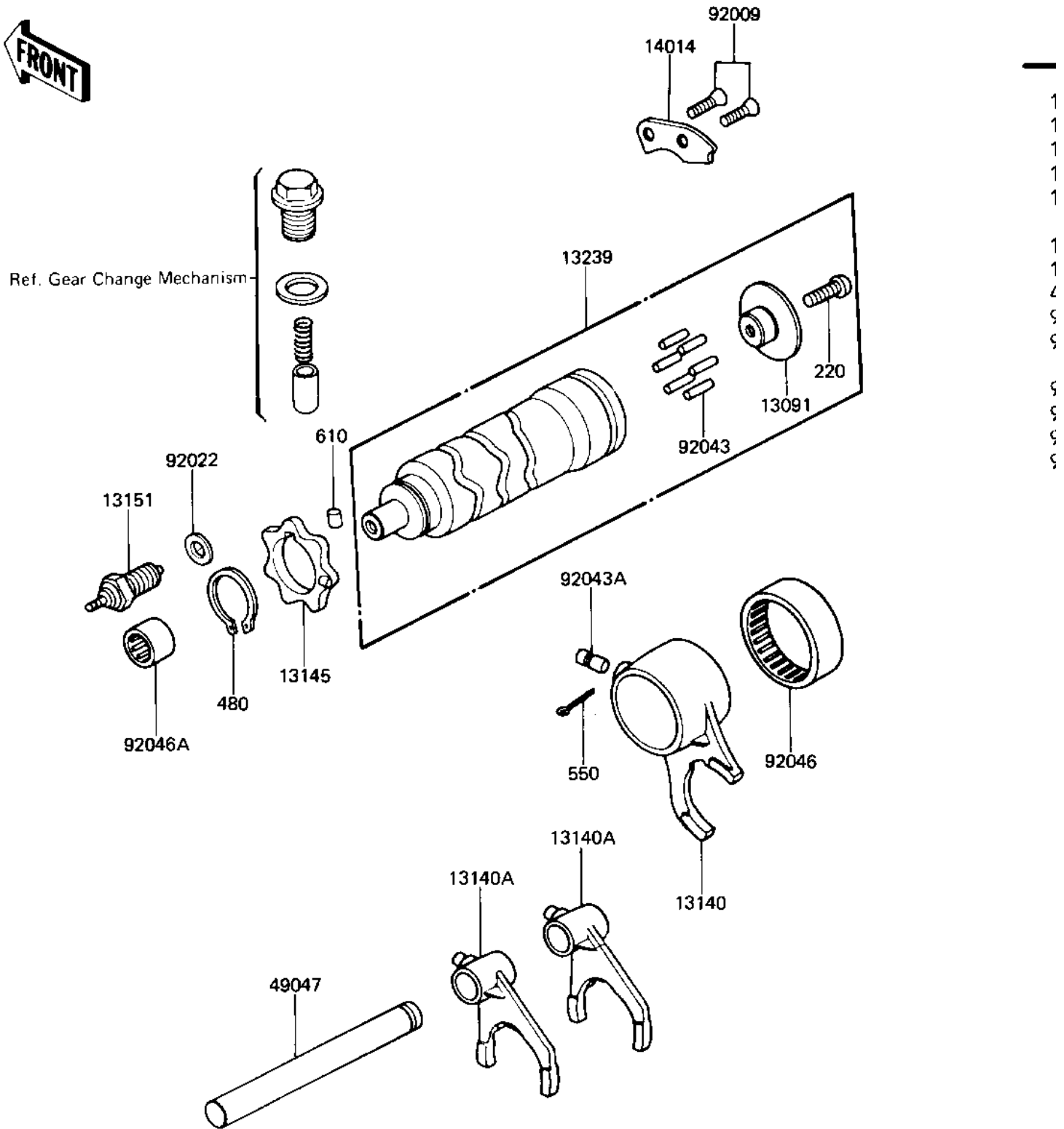


# 1983 LTD Belt PARTS DIAGRAM

GEAR CHANGE DRUM & FORKS ('81-'83 D2/D3/

E1362-0001



- 1
- 1
- 1
- 1
- 1
- 1
- 1
- 4
- 5
- 5
- 5
- 5
- 5

# 1983 LTD Belt PARTS LIST

GEAR CHANGE DRUM & FORKS ('81-'83 D2/D3/

ITEM NAME	PART NUMBER	QUANTITY
PLATE,SHIFT DRUM PIN (Ref # 13091)	13142-016	1
FORK-SHIFT,5TH&TOP (Ref # 13140)	13140-1053	1
FORK-SHIFT,1,4&2,3 (Ref # 13140A)	13140-1067	2
CAM-CHANGE DRUM (Ref # 13145)	13145-1058	1
SWITCH,NEUTRAL (Ref # 13151)	13151-1007	1
DRUM ASSY,CHANGE (Ref # 13239)	13239-1011	1
PLATE,SIFT DRM POSITN (Ref # 14014)	14014-1001	1
ROD,SHIFT (Ref # 49047)	13209-022	1
SCREW,CSK,6X16 (Ref # 92009)	92009-1007	2
GASKET CHECK VALVE (Ref # 92022)	92065-058	1
PIN GEAR CHANGE DRUM (Ref # 92043)	92042-014	6
DOWEL PIN,8X18 (Ref # 92043A)	92042-021	1
BRG,NEDL,37BTM4312 (Ref # 92046)	92046-051	1
BEARING,NEEDLE,HK1210 (Ref # 92046A)	92046-1010	1
SCREW PAN HEAD 6X14 (Ref # 220)	220B0614	1
CIRCLIP,30MM (Ref # 480)	480J3000	1
PIN COTTER 3.0X20 (Ref # 550)	550D3020	1
PIN-DOWEL,4X6 (Ref # 610)	610A0406	1