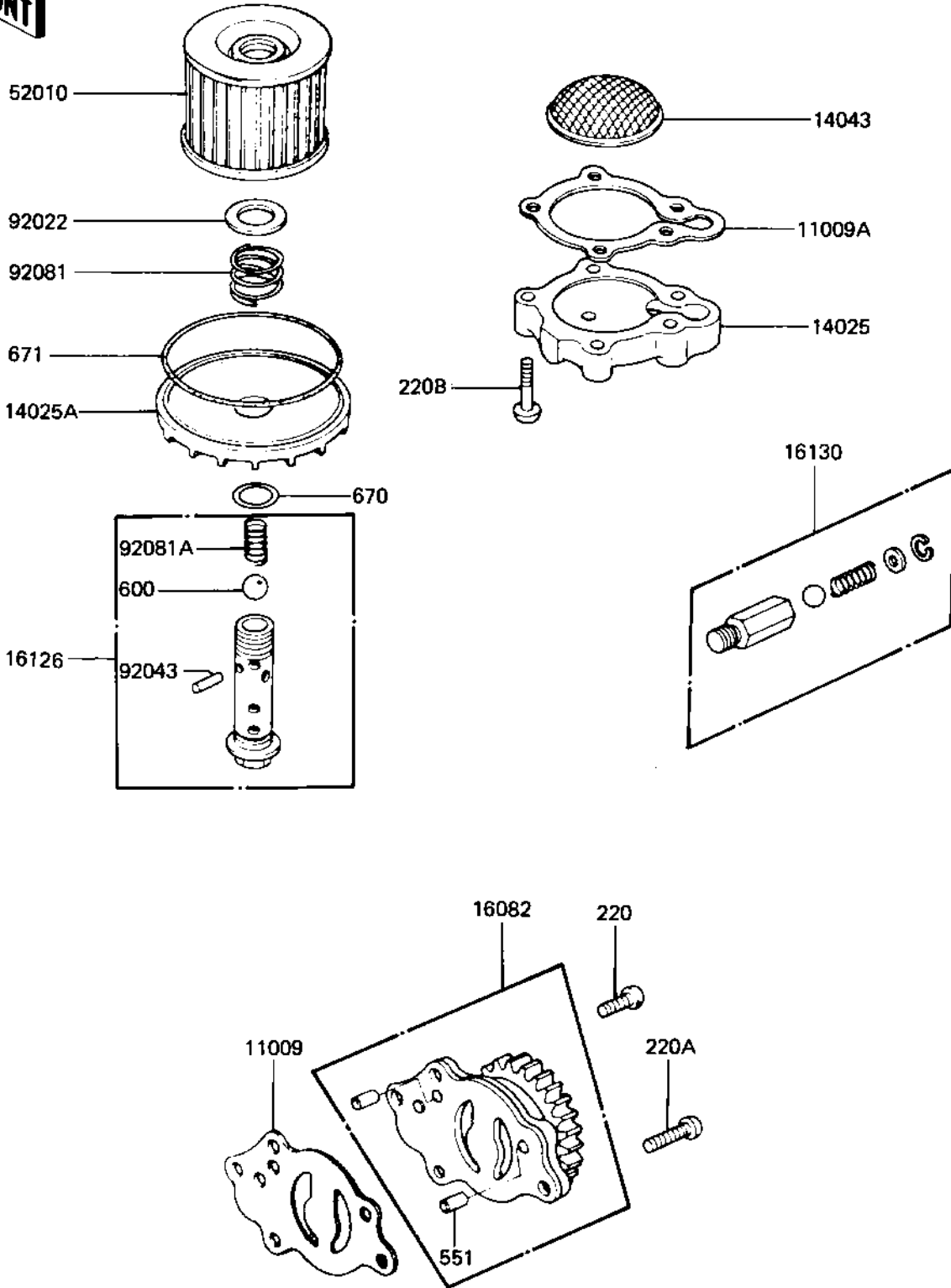


1982 LTD Belt PARTS DIAGRAM

OIL PUMP/OIL FILTER ('81-'83 D2/D3/D4/D5)

E1710-0001



1982 LTD Belt PARTS LIST

OIL PUMP/OIL FILTER ('81-'83 D2/D3/D4/D5)

ITEM NAME	PART NUMBER	QUANTITY
GASKET,OIL PUMP (Ref # 11009)	11009-1014	1
GASKET,OIL FILTER COV (Ref # 11009A)	11009-1874	1
COVER,OIL STRAINER (Ref # 14025)	16101-003	1
COVER,OIL FILTER (Ref # 14025A)	16101-004	1
STRAINER,OIL (Ref # 14043)	16111-003	1
OIL PUMP ASSY (Ref # 16082)	16082-1001	1
VALVE,OIL FILTER (Ref # 16126)	16126-1108	1
RELEAF VALVE ASSY (Ref # 16130)	16130-1001	1
FILTER,OIL (Ref # 52010)	16099-003	1
WASHER,20.5X30X1.0 (Ref # 92022)	92022-1012	1
SPRING PIN (Ref # 92043)	92043-111	1
SPRING,OIL FILTER (Ref # 92081)	92081-1018	1
SPRING (Ref # 92081A)	92081-109	1
SCREW PAN HEAD 6X10 (Ref # 220)	220B0610	1
SCREW PAN HEAD 6X25 (Ref # 220A)	220B0625	3
SCREW PAN HEAD 6X30 (Ref # 220B)	220B0630	5
PIN,DOWEL,6X12 (Ref # 551)	551A0612	2
BALL STEEL 3/8' (Ref # 600)	600A1200	1
"0" RING,16MM (Ref # 670)	670B2016	1
"0" RING,90MM (Ref # 671)	671B2590	1