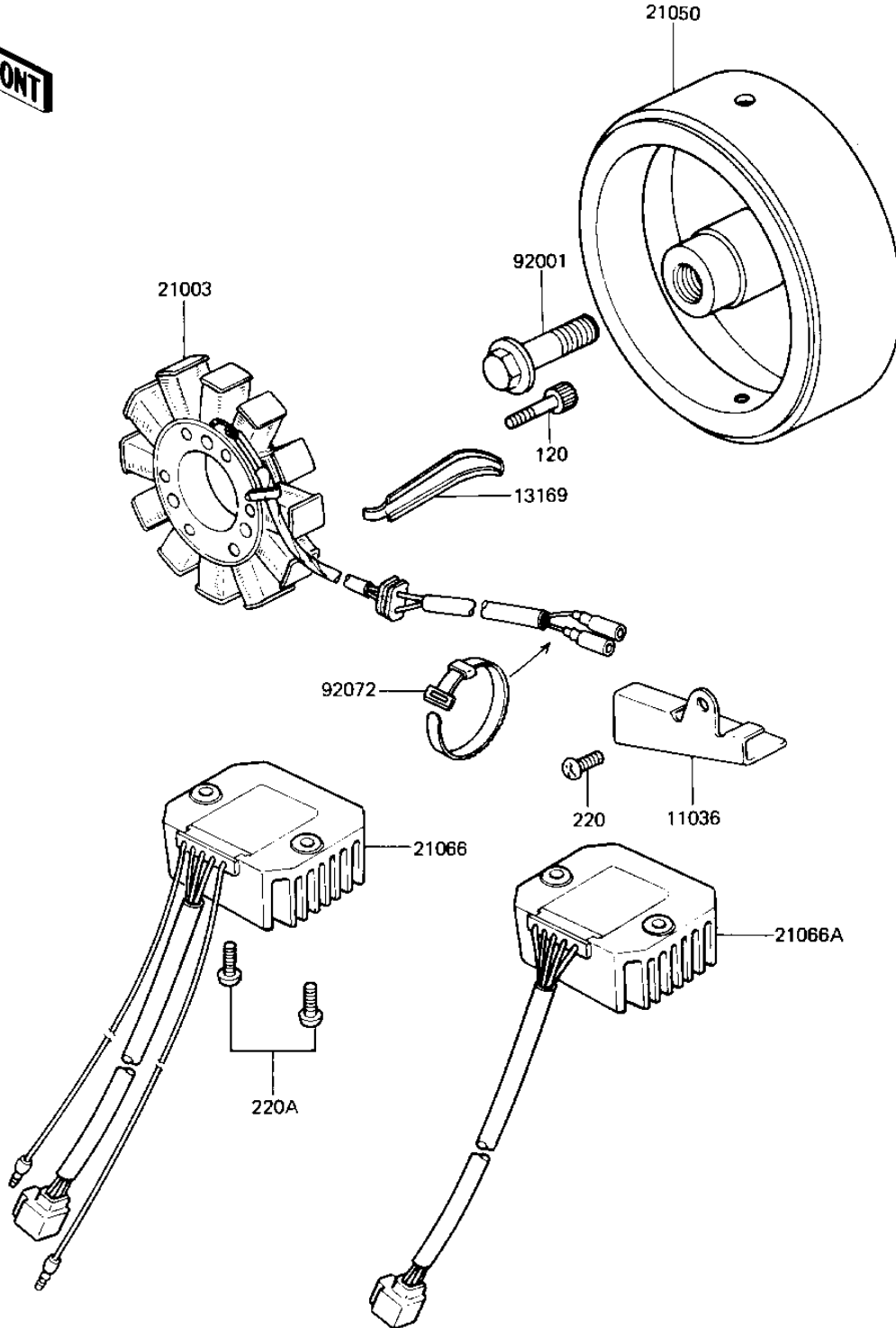


1982 LTD Belt PARTS DIAGRAM

GENERATOR/REGULATOR ('81-'83 D2/D3/D4/D5)

E1810-0064



- 1
- 1
- 2
- 2
- 2
- 2
- 5
- 5

1982 LTD Belt PARTS LIST

GENERATOR/REGULATOR ('81-'83 D2/D3/D4/D5)

| ITEM NAME | PART NUMBER | QUANTITY |
|-------------------------------------|-------------|----------|
| BRACKET-A,LEAD CLAMP (Ref # 11036) | 11036-1184 | 1 |
| PLATE,LEAD CLAMP (Ref # 13169) | 13169-1008 | 1 |
| STATOR.ASSY,GENERATER (Ref # 21003) | 21003-1009 | 1 |
| FLYWHEEL (Ref # 21050) | 21050-1004 | 1 |
| REGULATOR,VOLTAGE (Ref # 21066) | 21066-1014 | 1 |
| BOLT,10X40 (Ref # 92001) | 92002-1303 | 1 |
| BAND,SHORT (Ref # 92072) | 92072-030 | 1 |
| BOLT,ALLEN,6X28 (Ref # 120) | 120P0628 | 3 |
| SCREW PAN HEAD 6X10 (Ref # 220) | 220B0610 | 1 |
| SCREW PAN HEAD 6X14 (Ref # 220A) | 220B0614 | 2 |